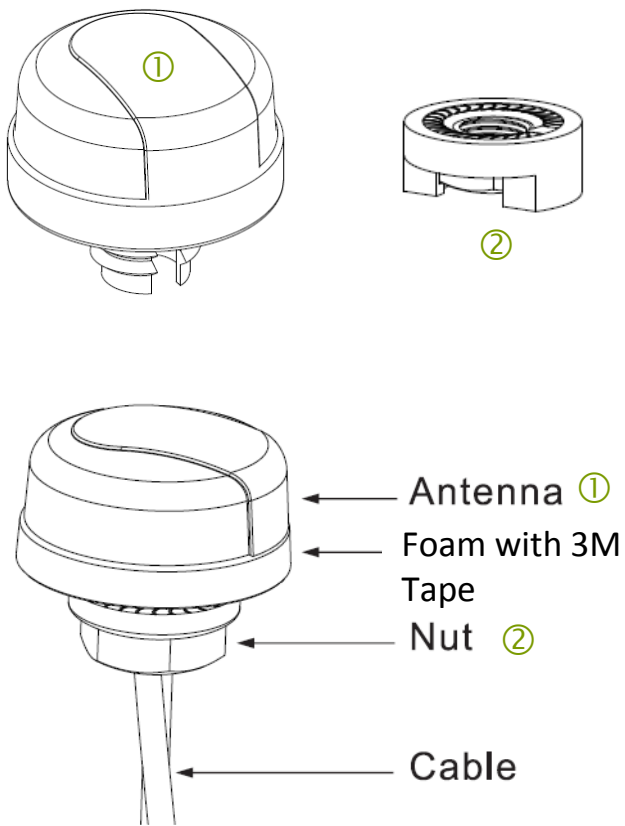
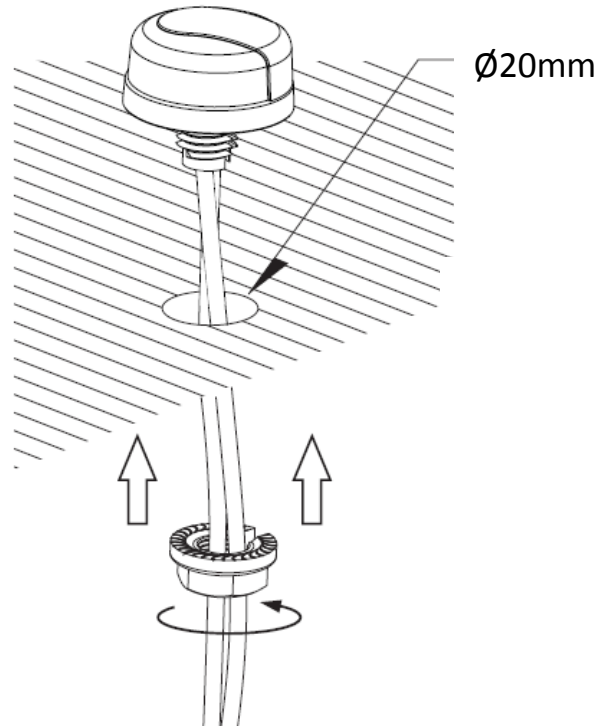
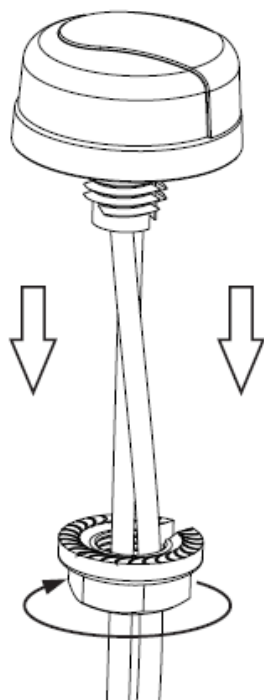


Hercules Antenna – Installation Instructions

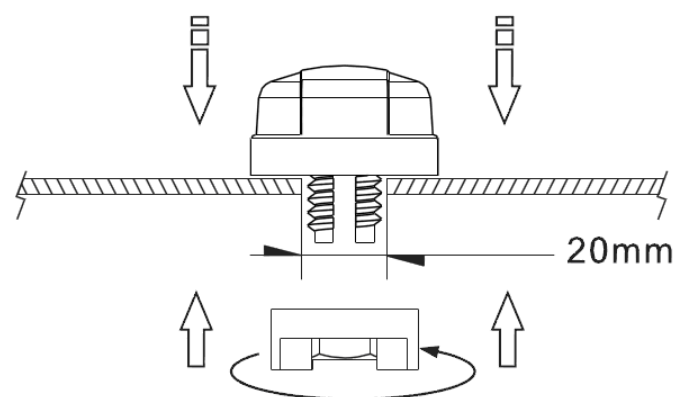


- ① Hercules Antenna
- ② Mounting Nut – screwed on thread



Drill a 20mm hole on the Metal.

Before Mounting the antenna, remove the adhesive liner from the base of the Hercules antenna Foam, which exposes the double-sided adhesive for a better water seal to the surface upon mounting.



Recommended Torque setting for mounting is 24.5N·m
Maximum Torque setting for mounting is 29.4N·m.

On Combination antennas - It is recommended to run the 2 cables separate from each other to minimize interference