

## PCN – Process Change Notification

Change:	MA203.A.AB.039
Date:	2016/05/27
Author	Haley Tsai

### Affected Products

Model#	Part Number	Changes
Stingray Glassmount GPS-SMA(M), GSM- SMC(F)Plug Straight 3M RG174	MA203.A.AB.039	Amend dimensions & tolerances.
		Add housing material.
		Amend GSM & WEEE heat shrink tube position.

### Type of Change

- Hardware Modification  
 Production Process Advance  
 Others – Amend dimension.

### Description of Change

1. we revised some dimensions and tolerance
2. amended housing material from ABS to PC.
3. Reversed GSM & WEEE heat shrink tube position

### Schedule

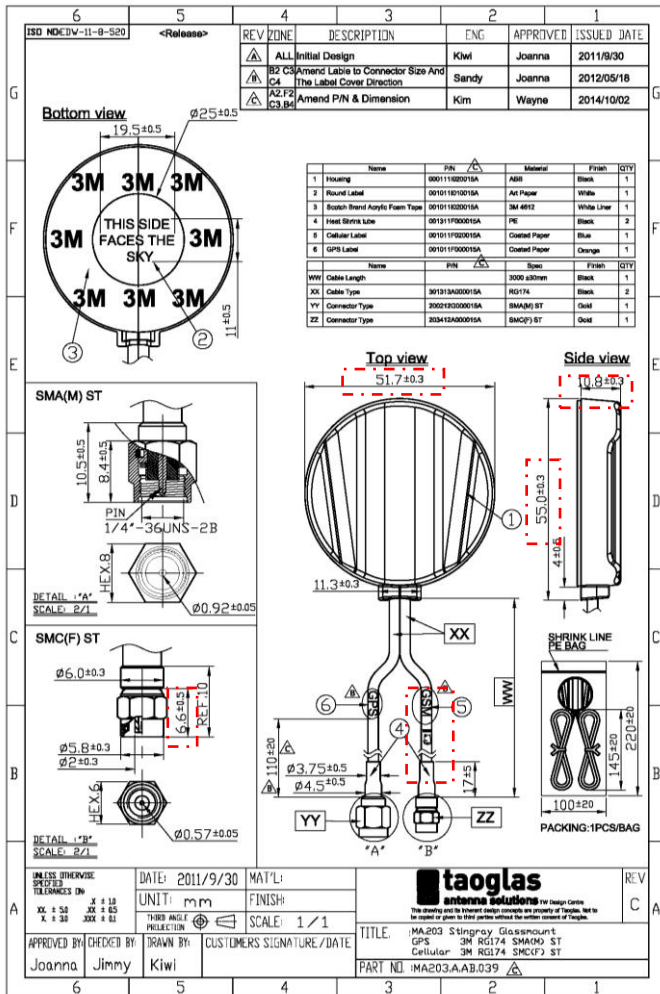
2016, May, Taoglas will input this new dimension into drawing.

### Forecast Estimated Transition Date

**MAY/2016**

### Illustration of Change

#### Old drawing



#### New drawing

