

## PCN – Process Change Notification

Change:	G30.B.108111
Date:	2016/10/04
Author	Bonnie Chen

### Affected Products

Model#	Part Number	Changes
Olympian 2G/3G/4G LTE/Wi-Fi 698- 960/2400/ 1710~2690MHz Screwmount Antenna 1M RG-316 SMA(M)	G30.B.108111	Amend Tolerance, Label, Connector, BOM, Part No. and Title.
		Amend Package.

### Type of Change

- Hardware Modification  
 Production Process Advance  
 Others –Amend details in drawing and amend package.

### Description of Change

1. Amend Tolerance of Cable Length for Taoglas internal drawing rules consistency.
2. Correct Label shape to match real samples.
3. Amend Connector drawing view.
4. Amend BOM list.
5. Correct Marketing Part No. from G.30.B108111 to G30.B.108111.
6. Address Title description to let it more clearly.
7. Amend Package rules to meet Taoglas Bar code system and standard package quantity rules.

### Schedule

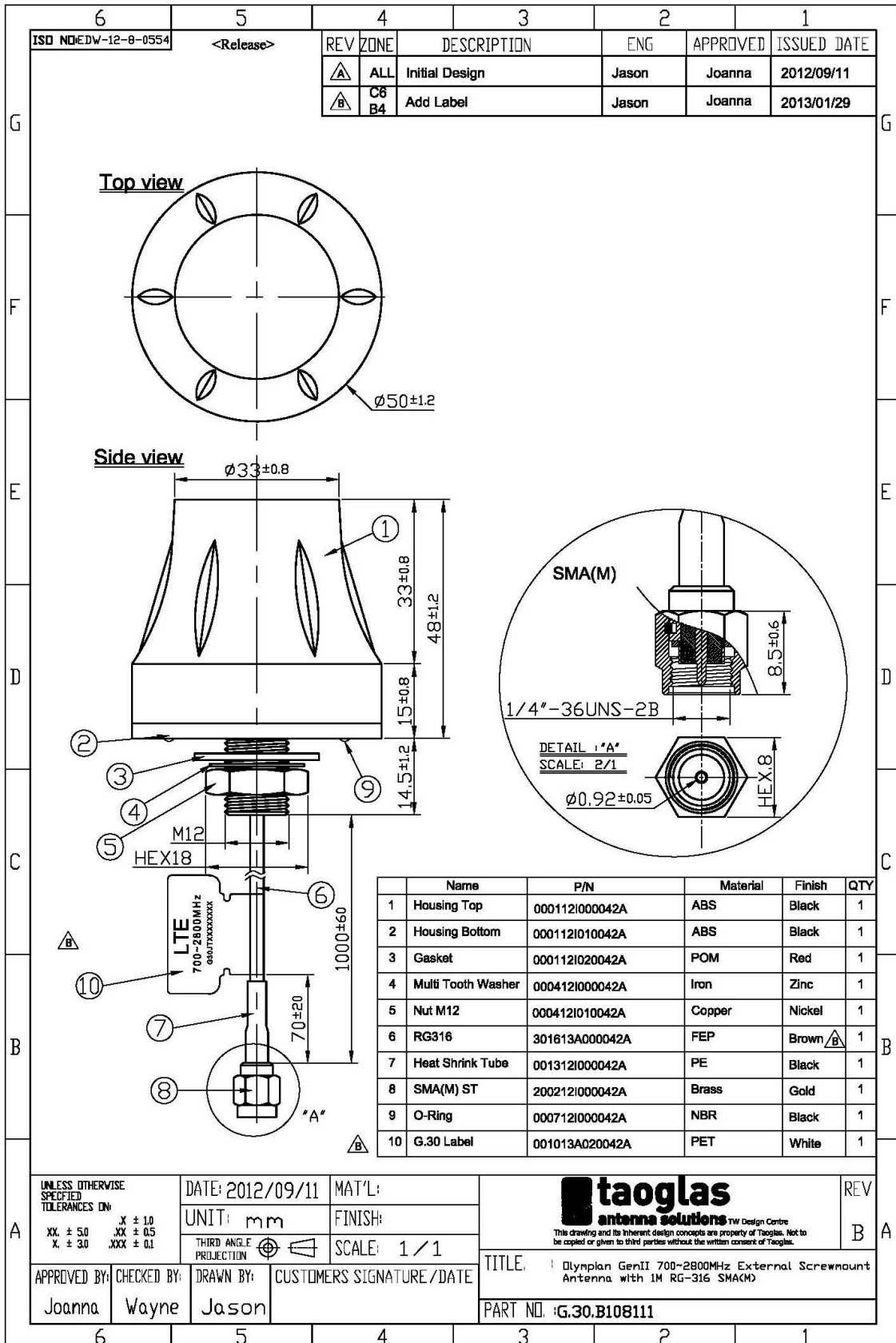
2016, October, Taoglas will input this new rules into production.

### Forecast Estimated Transition Date

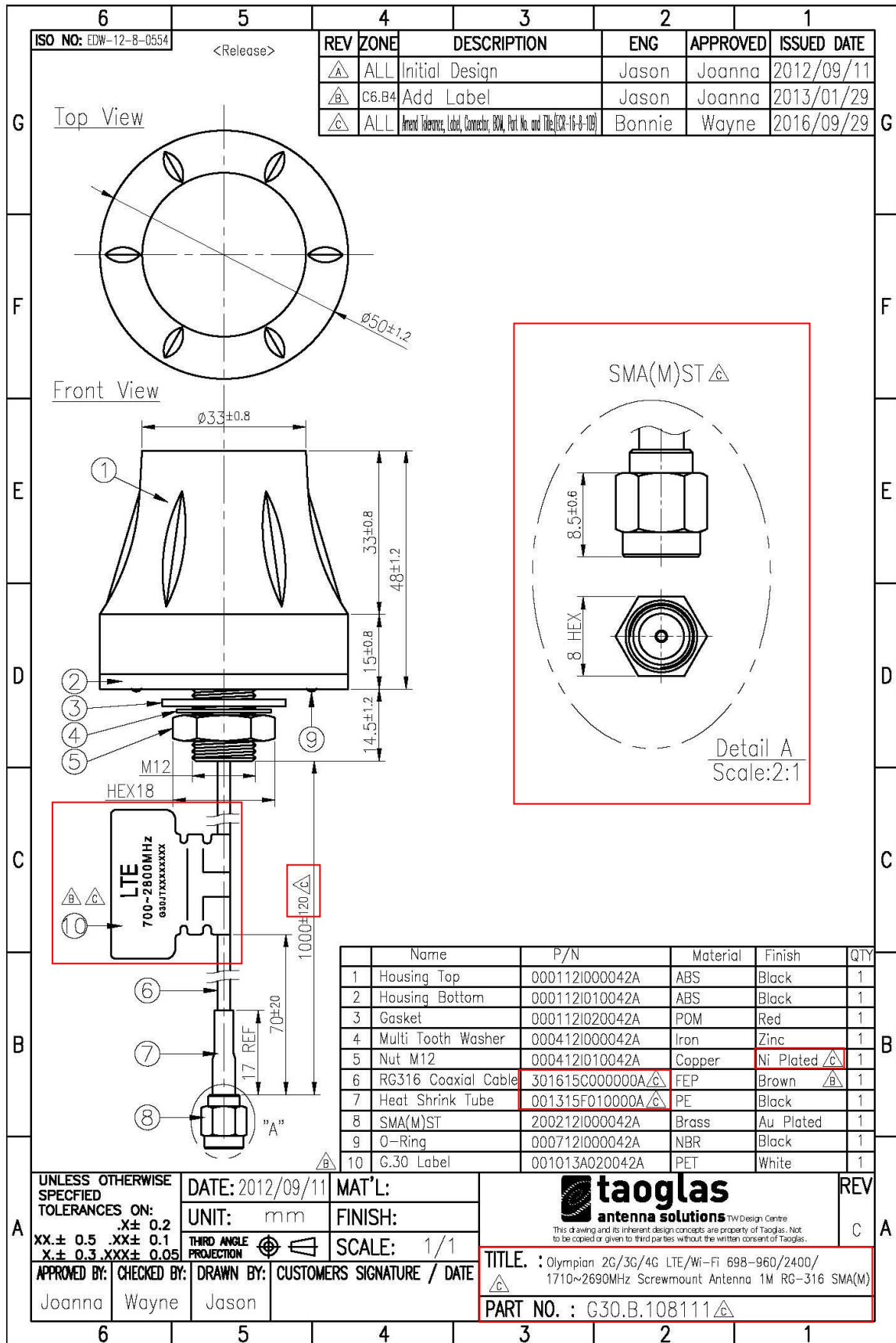
**Oct./2016**

### Illustration of Change

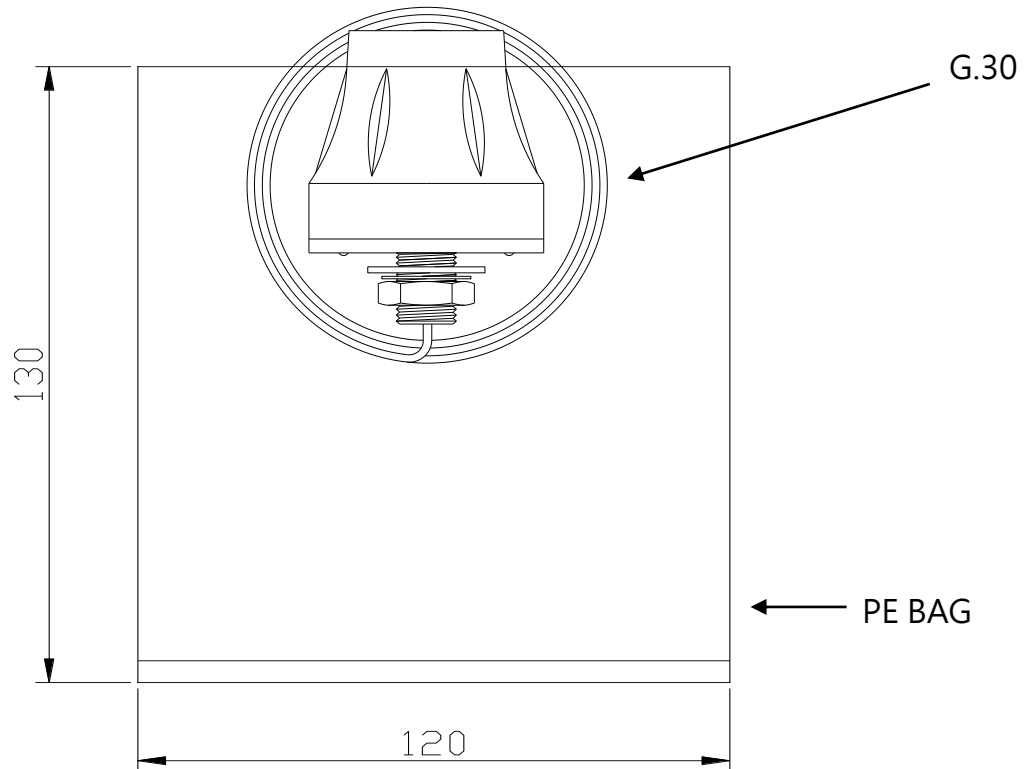
### Old drawing



New drawing



**Old Packaging**



**New Packaging**

