

## PCN – Process Change Notification

Change:	MA760.A.ABIC.003
Date:	2016/10/24
Author	Bonnie Chen

### Affected Products

Model#	Part Number	Changes
Pantheon Screwmount 3M GPS/GLONASS-RG174 SMA(M):LTE(1&2)-CFD-200 SMA(M):Wi-Fi CFD-200 RP-SMA(M)	MA760.A.ABIC.003	Amend Details of Drawing.
		Amend Package

### Type of Change

- Hardware Modification  
 Production Process Advance  
 Others –Amend Details of Drawing and Amend Package.

### Description of Change

1. Add Date Code Label and Long Part No. in Drawing.
2. Amend Wifi Label from 2.4/5GHz to be 2.4/5.8GHz.
3. Amend Dimensions and Tolerances.
4. Amend Title and BOM.
5. Amend Package.

### Schedule

2016, October, Taoglas will provide new drawing and packing rule into production.

### Forecast Estimated Transition Date

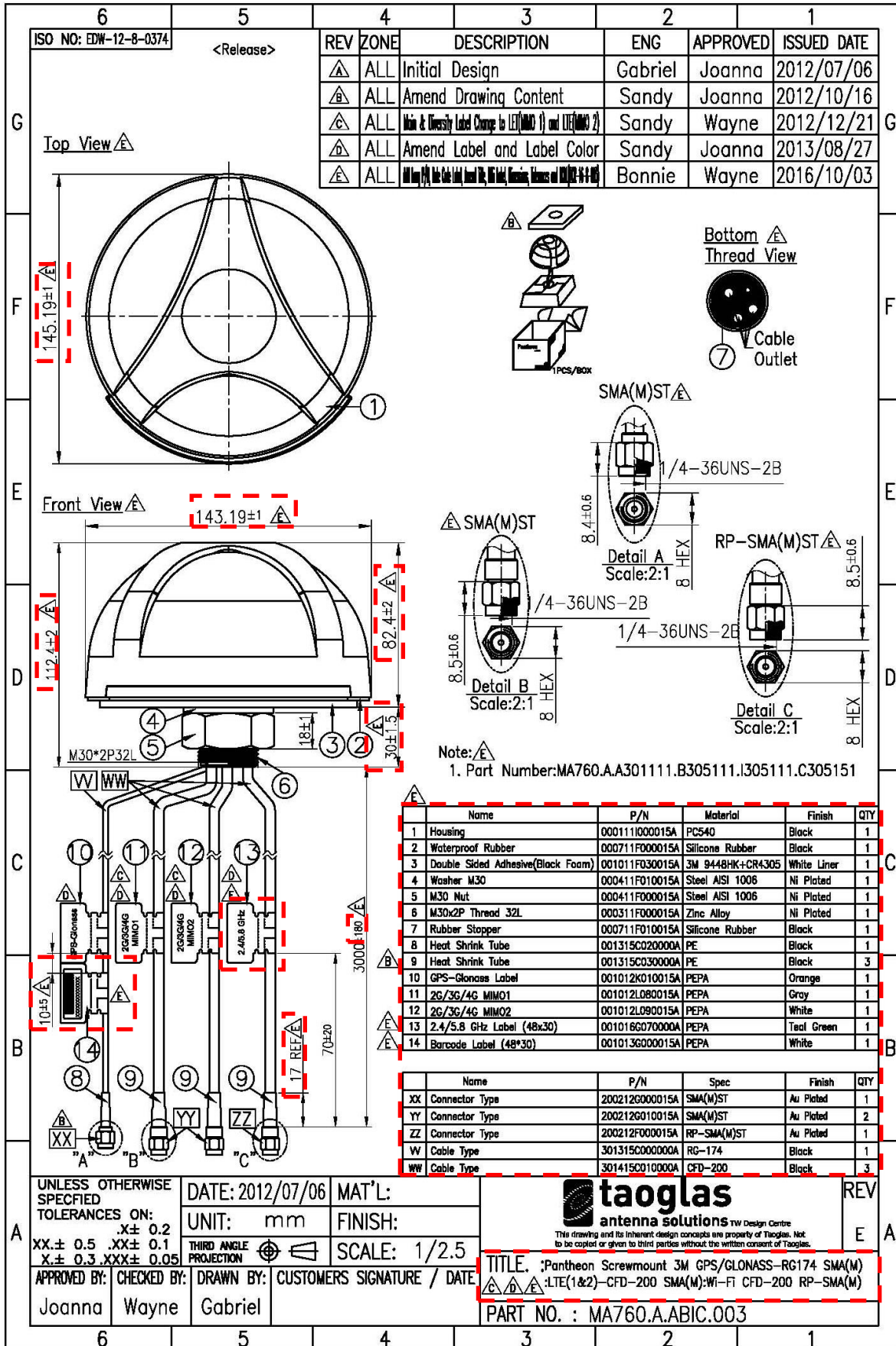
October /2016

### Illustration of Change

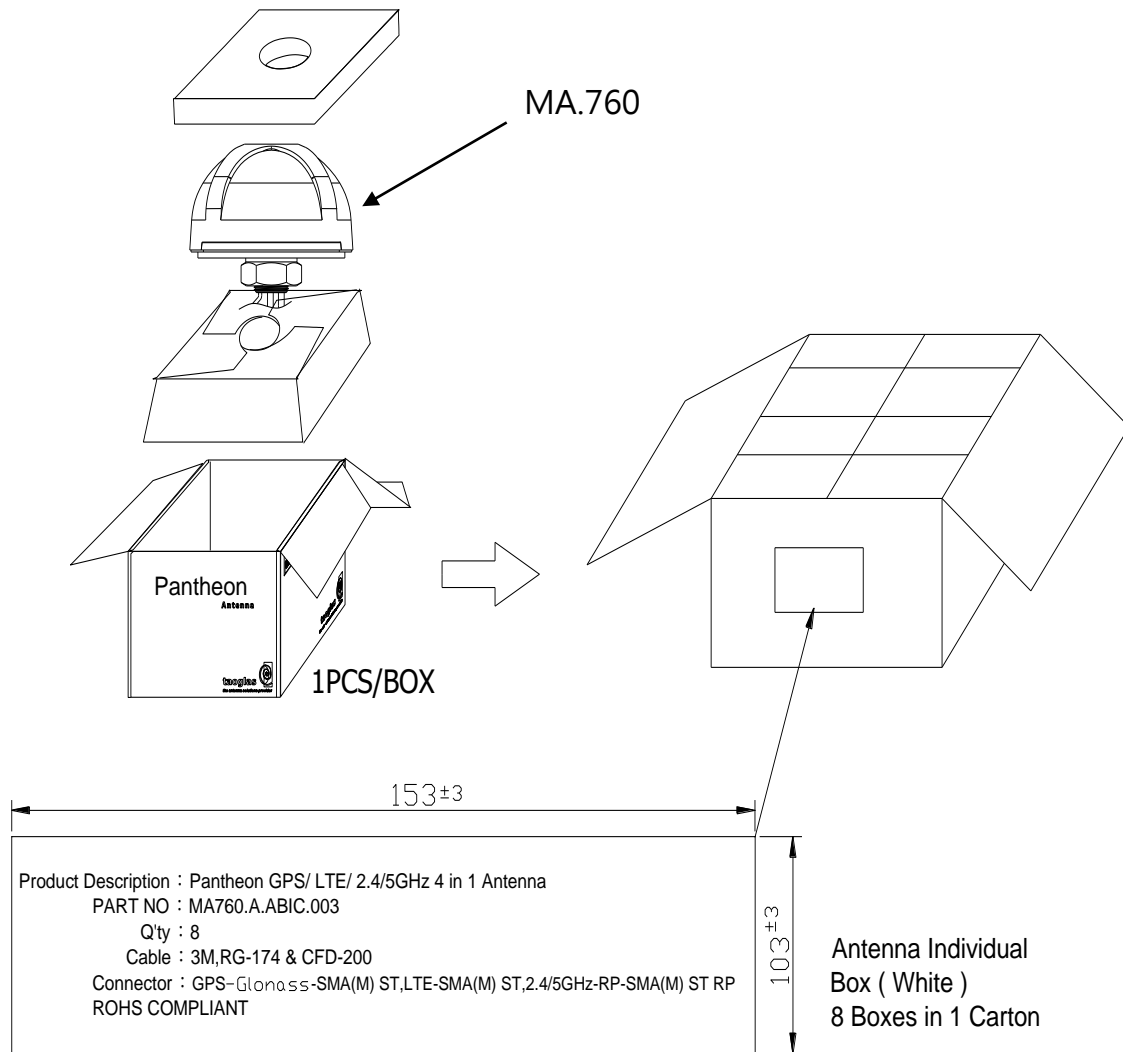
### Old Drawing

6	5	4	3	2	1																																																																																																																					
ISD NO: EDW-12-8-0374		<Release>																																																																																																																								
		<table border="1" style="width:100%; border-collapse: collapse;"> <thead> <tr> <th>REV</th> <th>ZONE</th> <th>DESCRIPTION</th> <th>ENG</th> <th>APPROVED</th> <th>ISSUED DATE</th> </tr> </thead> <tbody> <tr> <td>△</td> <td>ALL</td> <td>Initial Design</td> <td>Gabriel</td> <td>Joanna</td> <td>2012/07/06</td> </tr> <tr> <td>△</td> <td>ALL</td> <td>Amend Drawing Content</td> <td>Sandy</td> <td>Joanna</td> <td>2012/10/16</td> </tr> <tr> <td>△</td> <td>ALL</td> <td>Main &amp; Diversity Label Change To LTE(MIMO1) and LTE(MIMO2)</td> <td>Sandy</td> <td>Wayne</td> <td>2012/12/21</td> </tr> <tr> <td>△</td> <td>ALL</td> <td>Amend Label And Label Color</td> <td>Sandy</td> <td>Joanna</td> <td>2013/08/27</td> </tr> </tbody> </table>				REV	ZONE	DESCRIPTION	ENG	APPROVED	ISSUED DATE	△	ALL	Initial Design	Gabriel	Joanna	2012/07/06	△	ALL	Amend Drawing Content	Sandy	Joanna	2012/10/16	△	ALL	Main & Diversity Label Change To LTE(MIMO1) and LTE(MIMO2)	Sandy	Wayne	2012/12/21	△	ALL	Amend Label And Label Color	Sandy	Joanna	2013/08/27																																																																																							
REV	ZONE	DESCRIPTION	ENG	APPROVED	ISSUED DATE																																																																																																																					
△	ALL	Initial Design	Gabriel	Joanna	2012/07/06																																																																																																																					
△	ALL	Amend Drawing Content	Sandy	Joanna	2012/10/16																																																																																																																					
△	ALL	Main & Diversity Label Change To LTE(MIMO1) and LTE(MIMO2)	Sandy	Wayne	2012/12/21																																																																																																																					
△	ALL	Amend Label And Label Color	Sandy	Joanna	2013/08/27																																																																																																																					
<p>Antenna Individual Box ( White ) 8 Boxes in 1 Carton Label x 2 Paste To Both Sides</p>																																																																																																																										
<table border="1" style="width:100%; border-collapse: collapse;"> <thead> <tr> <th>Name</th> <th>P/N</th> <th>Material</th> <th>Finish</th> <th>QTY</th> </tr> </thead> <tbody> <tr><td>1</td><td>Housing</td><td>00011F010015A</td><td>PC 540</td><td>Black</td><td>1</td></tr> <tr><td>2</td><td>Closed Cell Foam</td><td>00101F030015A</td><td>CR 4305</td><td>Black</td><td>1</td></tr> <tr><td>3</td><td>M30 Nut</td><td>00041F000015A</td><td>Steel AISI 1215</td><td>NI Plated</td><td>1</td></tr> <tr><td>4</td><td>Washer</td><td>00041F010015A</td><td>Steel AISI 1215</td><td>NI Plated</td><td>1</td></tr> <tr><td>5</td><td>Waterproof Gasket</td><td>00071J000015A</td><td>Silicon Rubber</td><td>Black</td><td>1</td></tr> <tr><td>6</td><td>Heat Shrink Tube</td><td>00131F000015A</td><td>PE (RG174)</td><td>Black</td><td>1</td></tr> <tr><td>7</td><td>Heat Shrink Tube</td><td>00131F010015A</td><td>PE (CFD200)</td><td>Black</td><td>3</td></tr> <tr><td>8</td><td>Rubber Stopper</td><td>00071F000015A</td><td>Silicone Rubber</td><td>Black</td><td>1</td></tr> <tr><td>9</td><td>GPS-Glonass Label</td><td>001012K010015A</td><td>Coated Paper</td><td>Orange</td><td>1</td></tr> <tr><td>10</td><td>2G/3G/4G MIMO1 Label</td><td>001012L080015A</td><td>Coated Paper</td><td>Gray</td><td>1</td></tr> <tr><td>11</td><td>2G/3G/4G MIMO2 Label</td><td>001012L090015A</td><td>Coated Paper</td><td>White</td><td>1</td></tr> <tr><td>12</td><td>2.4/5 GHz Label</td><td>001013C010015A</td><td>Coated Paper</td><td>Green</td><td>1</td></tr> </tbody> </table>		Name	P/N	Material	Finish	QTY	1	Housing	00011F010015A	PC 540	Black	1	2	Closed Cell Foam	00101F030015A	CR 4305	Black	1	3	M30 Nut	00041F000015A	Steel AISI 1215	NI Plated	1	4	Washer	00041F010015A	Steel AISI 1215	NI Plated	1	5	Waterproof Gasket	00071J000015A	Silicon Rubber	Black	1	6	Heat Shrink Tube	00131F000015A	PE (RG174)	Black	1	7	Heat Shrink Tube	00131F010015A	PE (CFD200)	Black	3	8	Rubber Stopper	00071F000015A	Silicone Rubber	Black	1	9	GPS-Glonass Label	001012K010015A	Coated Paper	Orange	1	10	2G/3G/4G MIMO1 Label	001012L080015A	Coated Paper	Gray	1	11	2G/3G/4G MIMO2 Label	001012L090015A	Coated Paper	White	1	12	2.4/5 GHz Label	001013C010015A	Coated Paper	Green	1	<table border="1" style="width:100%; border-collapse: collapse;"> <thead> <tr> <th>Name</th> <th>PIN</th> <th>Spec</th> <th>Finish</th> <th>QTY</th> </tr> </thead> <tbody> <tr><td>UU</td><td>Cable Length</td><td>3000±120mm</td><td></td><td></td></tr> <tr><td>VV</td><td>Cable Type</td><td>301313A000015A</td><td>RG174</td><td>Black</td><td>1</td></tr> <tr><td>WW</td><td>Cable Type</td><td>301413A000015A</td><td>CFD200</td><td>Black</td><td>3</td></tr> <tr><td>XX</td><td>Connector Type</td><td>200212G000015A</td><td>SMA(M) ST</td><td>Gold</td><td>1</td></tr> <tr><td>YY</td><td>Connector Type</td><td>200212G010015A</td><td>RP-SMA(M) ST</td><td>Gold</td><td>1</td></tr> <tr><td>ZZ</td><td>Connector Type</td><td>200212F000015A</td><td>SMA(M) ST</td><td>Gold</td><td>2</td></tr> </tbody> </table>				Name	PIN	Spec	Finish	QTY	UU	Cable Length	3000±120mm			VV	Cable Type	301313A000015A	RG174	Black	1	WW	Cable Type	301413A000015A	CFD200	Black	3	XX	Connector Type	200212G000015A	SMA(M) ST	Gold	1	YY	Connector Type	200212G010015A	RP-SMA(M) ST	Gold	1	ZZ	Connector Type	200212F000015A	SMA(M) ST	Gold	2
Name	P/N	Material	Finish	QTY																																																																																																																						
1	Housing	00011F010015A	PC 540	Black	1																																																																																																																					
2	Closed Cell Foam	00101F030015A	CR 4305	Black	1																																																																																																																					
3	M30 Nut	00041F000015A	Steel AISI 1215	NI Plated	1																																																																																																																					
4	Washer	00041F010015A	Steel AISI 1215	NI Plated	1																																																																																																																					
5	Waterproof Gasket	00071J000015A	Silicon Rubber	Black	1																																																																																																																					
6	Heat Shrink Tube	00131F000015A	PE (RG174)	Black	1																																																																																																																					
7	Heat Shrink Tube	00131F010015A	PE (CFD200)	Black	3																																																																																																																					
8	Rubber Stopper	00071F000015A	Silicone Rubber	Black	1																																																																																																																					
9	GPS-Glonass Label	001012K010015A	Coated Paper	Orange	1																																																																																																																					
10	2G/3G/4G MIMO1 Label	001012L080015A	Coated Paper	Gray	1																																																																																																																					
11	2G/3G/4G MIMO2 Label	001012L090015A	Coated Paper	White	1																																																																																																																					
12	2.4/5 GHz Label	001013C010015A	Coated Paper	Green	1																																																																																																																					
Name	PIN	Spec	Finish	QTY																																																																																																																						
UU	Cable Length	3000±120mm																																																																																																																								
VV	Cable Type	301313A000015A	RG174	Black	1																																																																																																																					
WW	Cable Type	301413A000015A	CFD200	Black	3																																																																																																																					
XX	Connector Type	200212G000015A	SMA(M) ST	Gold	1																																																																																																																					
YY	Connector Type	200212G010015A	RP-SMA(M) ST	Gold	1																																																																																																																					
ZZ	Connector Type	200212F000015A	SMA(M) ST	Gold	2																																																																																																																					
<p>UNLESS OTHERWISE SPECIFIED TOLERANCES IN:</p> <p>XX ± 50    X ± 10            XX ± 65    XX ± 0.5            X ± 30    XXX ± 0.1</p>		<p>DATE: 2012/07/06    MAT'L:</p> <p>UNIT: mm    FINISH:</p> <p>THIRD ANGLE PROJECTION    SCALE: 1/2</p>		<p>REV D</p>																																																																																																																						
<p>APPROVED BY: Joanna    CHECKED BY: Wayne    DRAWN BY: Gabriel</p>		<p>CUSTOMERS SIGNATURE / DATE</p>		<p>TITLE: M768 Pantheron 4in1 ScrewMount Antenna            GPS-Glonass 3M RGL74 SMA00 ST            2G/3G/4G MIMO1 3M CFD-200 SMA00 ST            2G/3G/4G MIMO2 3M CFD-200 SMA00 ST            2.4/5 GHz 3M CFD-E00 RP-SMA00 ST</p> <p>PART NO.: MA760.A.ABIC.003</p>																																																																																																																						

New Drawing



**Old Package Rule**



**Label x 2 Paste To Both Sides**

**New Package Rule**

