

## PCN – Process Change Notification

Change:	G30.B.108112
Date:	2016/11/04
Author	Bonnie Chen

### Affected Products

Model#	Part Number	Changes
Olympian 2G/3G/4G LTE/Wi-Fi 698-960/2400/1710~2690MHz Screwmount Antenna 1M RG-316 SMA(M)RA	G30.B.108112	Amend Details of Drawing.
		Amend Package

### Type of Change

- Hardware Modification  
 Production Process Advance  
 Others –Amend Details of Drawing and Amend Package.

### Description of Change

1. Amend Title.
2. Amend Dimension of Pin.
3. Amend Tolerances of Cable Length and Connector.
4. Amend BOM.
5. Show the Nut Cut in drawing.
6. Amend Packaging.

### Schedule

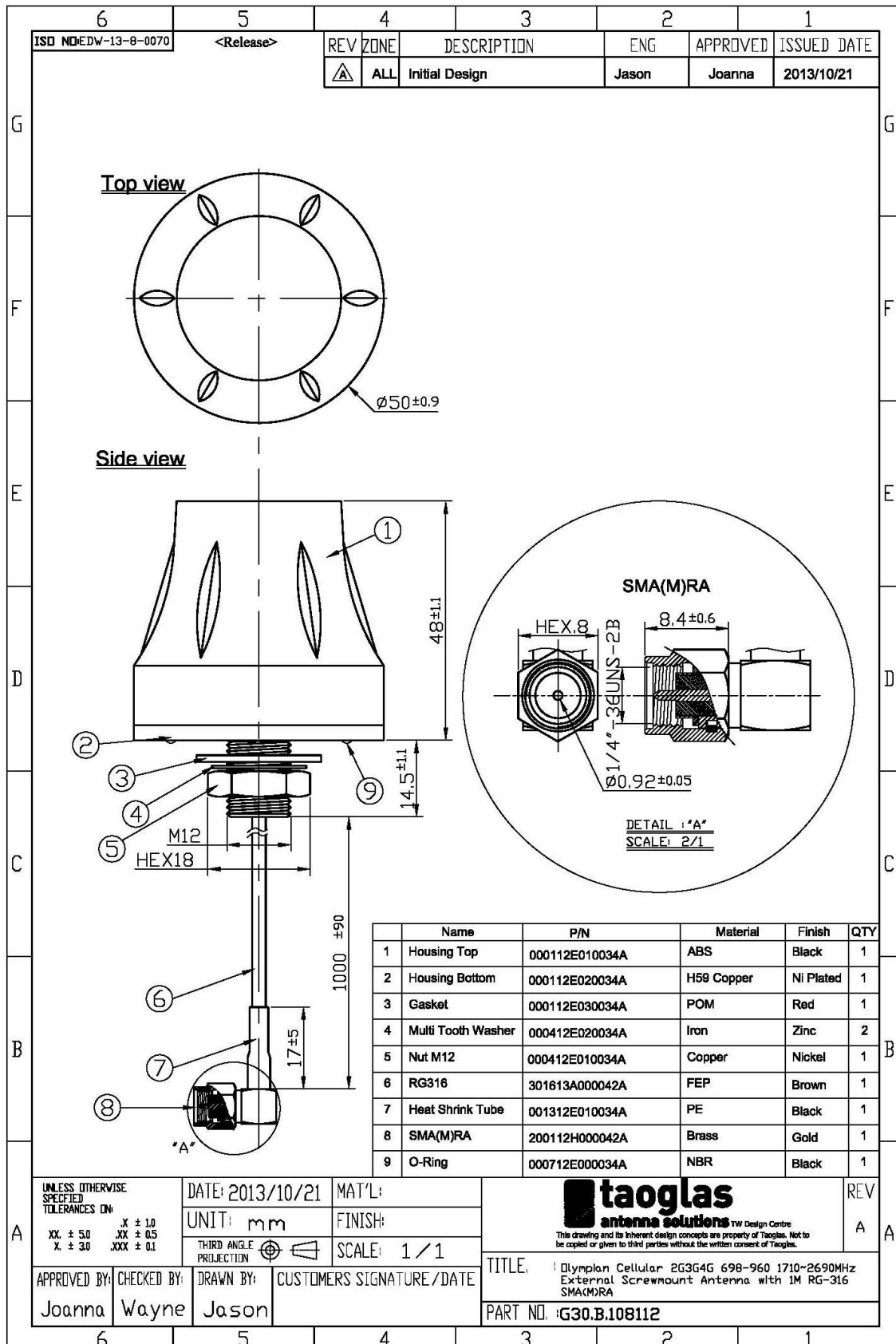
2016, November, Taoglas will provide new drawing and packing rule into production.

### Forecast Estimated Transition Date

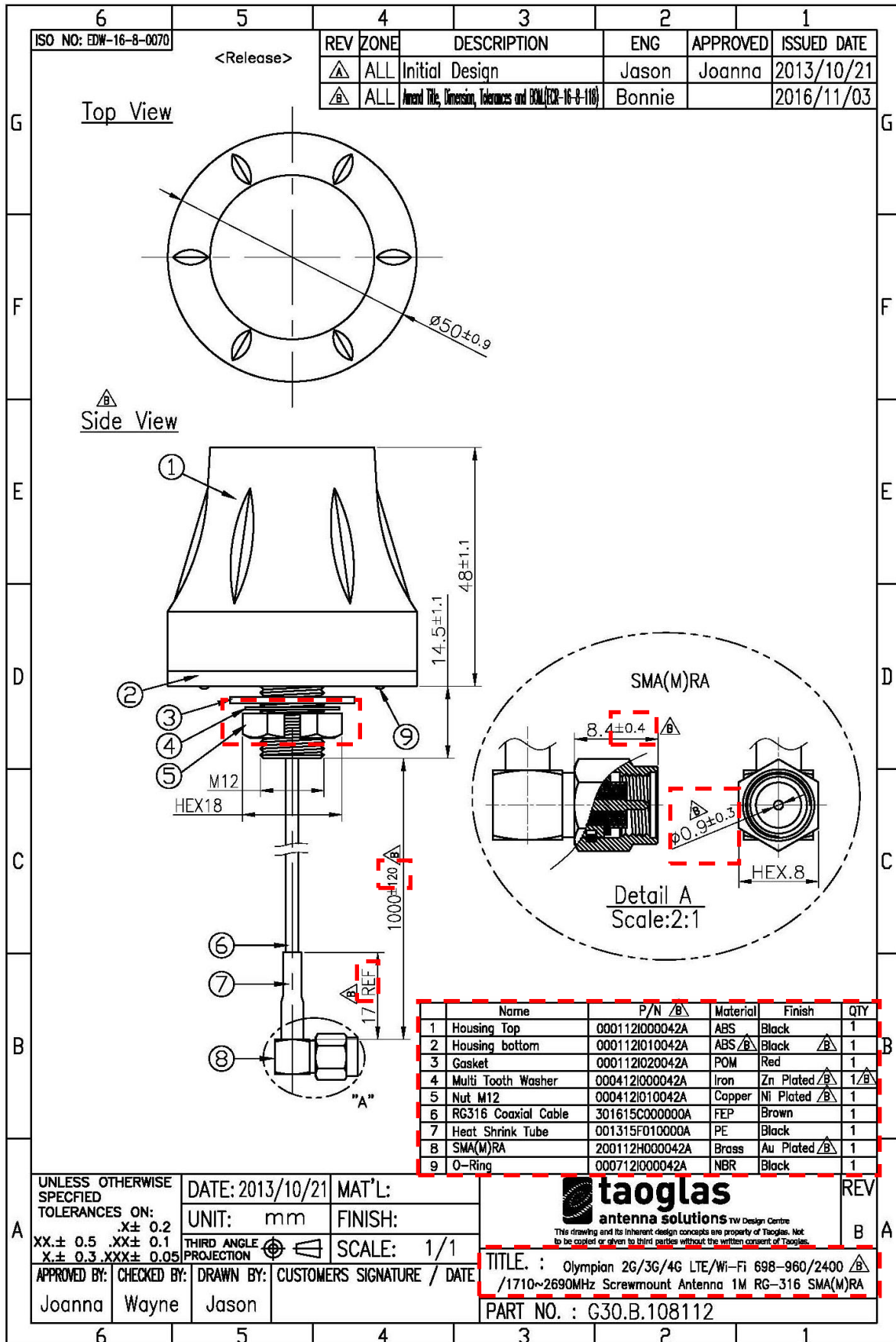
**November /2016**

### Illustration of Change

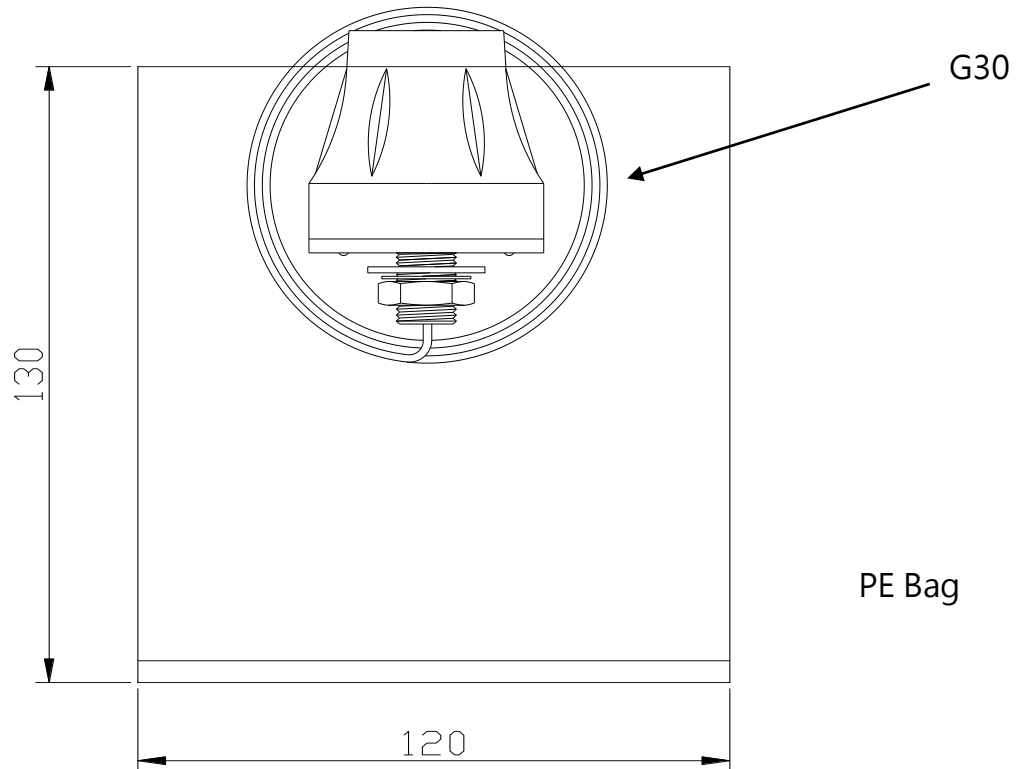
### Old Drawing



New Drawing



**Old Package Rule**



### New Package Rule

