

## PCN – Process Change Notification

Change:	IS.04.B.301111
Date:	2017/04/27
Author	Haley Tsai

### Affected Products

Model#	Part Number	Changes
IS.04 Hercules 868MHz Antenna 3M RG174 SMA(M)	IS.04.B.301111	Amend package rule

### Type of Change

- Hardware Modification
- Production Process Advance
- Others – Amend package rule.

### Description of Change

1. Amend Package Rule.

### Schedule

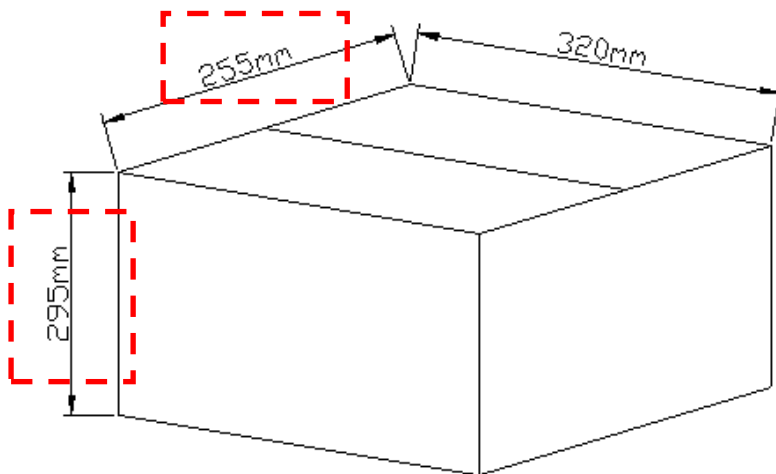
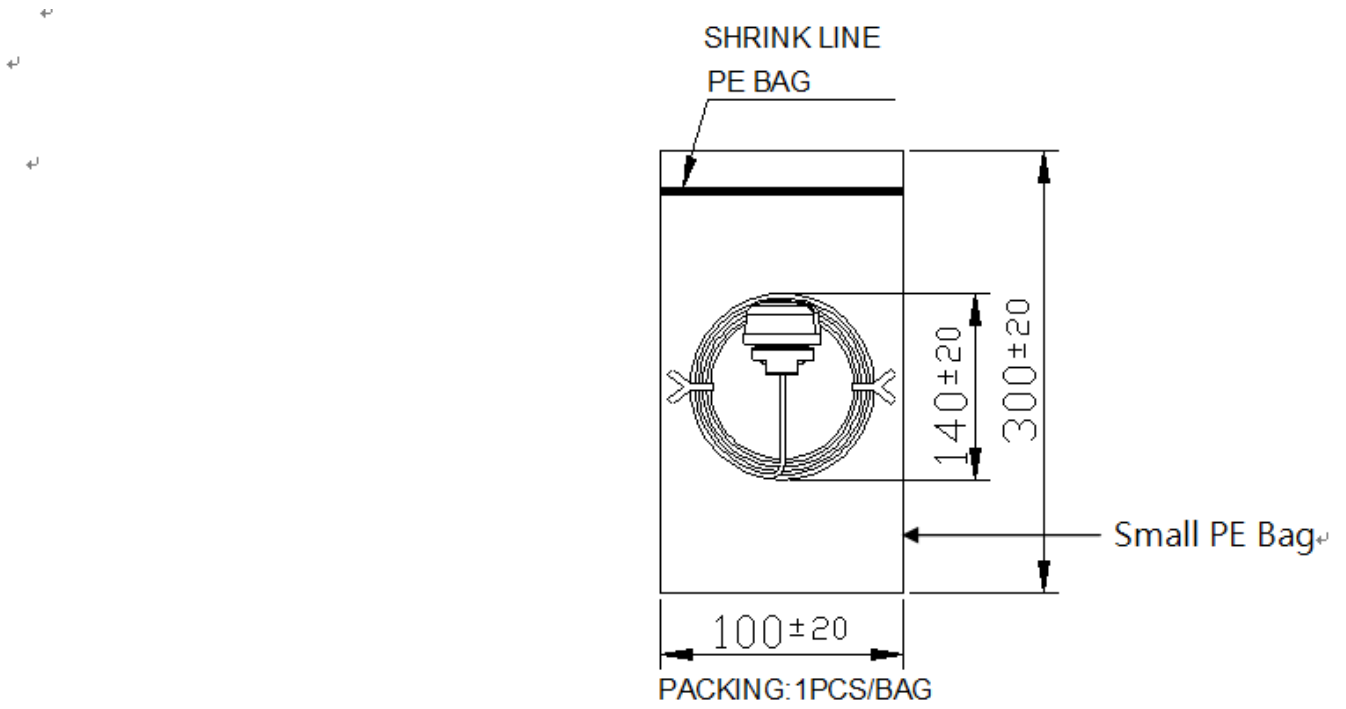
2017, May, Taoglas will provide new package rule into production.

### Forecast Estimated Transition Date

**May /2017**

### Illustration of Change

### Old Packaging



### New Packaging

