

## PCN – Process Change Notification

Change:	MA501.C.AC.001
Date:	2017/04/27
Author	Bonnie Chen

### Affected Products

Model#	Part Number	Changes
Hercules Screwmount GPS-3M RG-174 SMA(M)/Wi-Fi 3M NFC-200 RP-SMA(M)	MA501.C.AC.001	1. Amend Package Rule.

### Type of Change

- Hardware Modification  
 Production Process Advance  
 Others –Amend Package Rule.
- 

### Description of Change

1. Amend Package Rule.

### Schedule

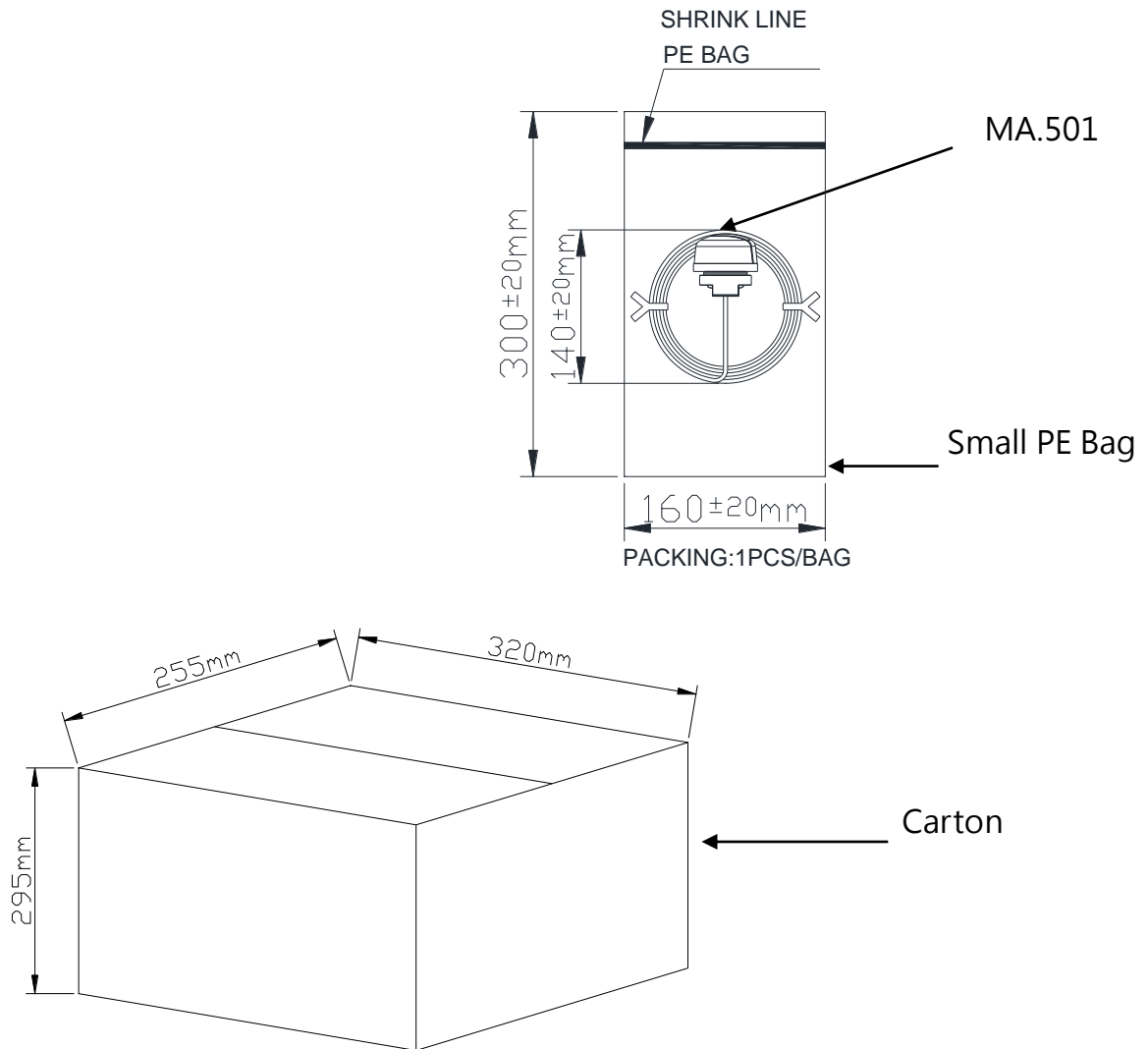
2017, May, Taoglas will provide new package rule into production.

### Forecast Estimated Transition Date

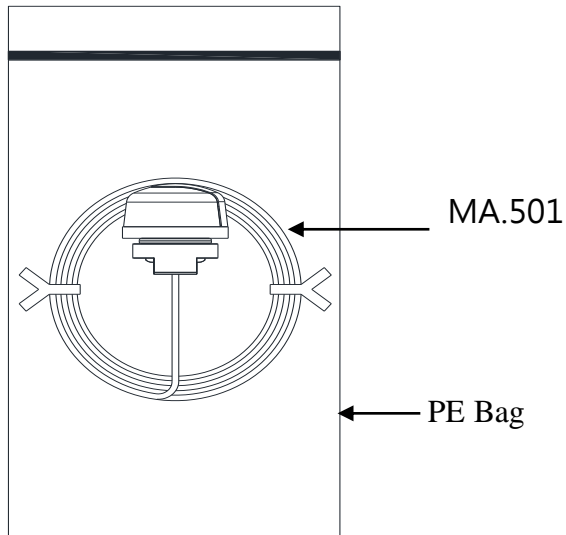
May/2017

### Illustration of Change

### Old Package



**New Package**



1pcs / PE Bag (160x300mm)



SPQ: 25pcs / Carton  
(320x250x290mm)

