

## PCN – Process Change Notification

Change:	WMB.A.SMA.F.305111
Date:	2017/04/28
Author	Haley Tsai

### Affected Products

Model#	Part Number	Changes
Wall Mounting Bracket With Integrated SMA(F) Connector 3M CFD-200 SMA(M) on Cable	WMB.A.SMA.F.305111	Change PE bag dimension

### Type of Change

- Hardware Modification  
 Production Process Advance  
 Others –Change PE bag dimension
- 

### Description of Change

Change PE bag dimension.

### Schedule

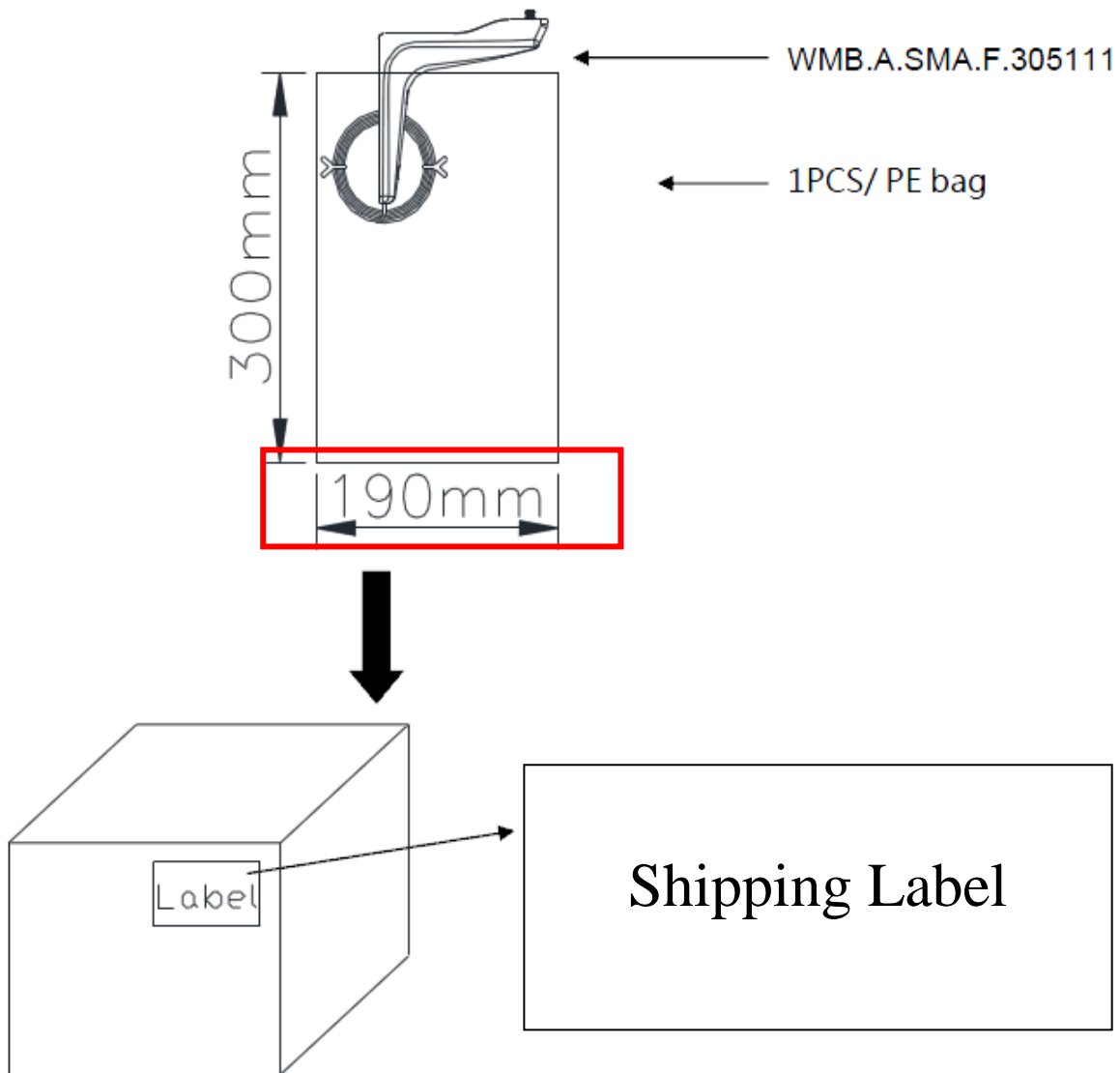
2017, May, Taoglas will provide new drawing and new package rule into production.

### Forecast Estimated Transition Date

May/2017

### Illustration of Change

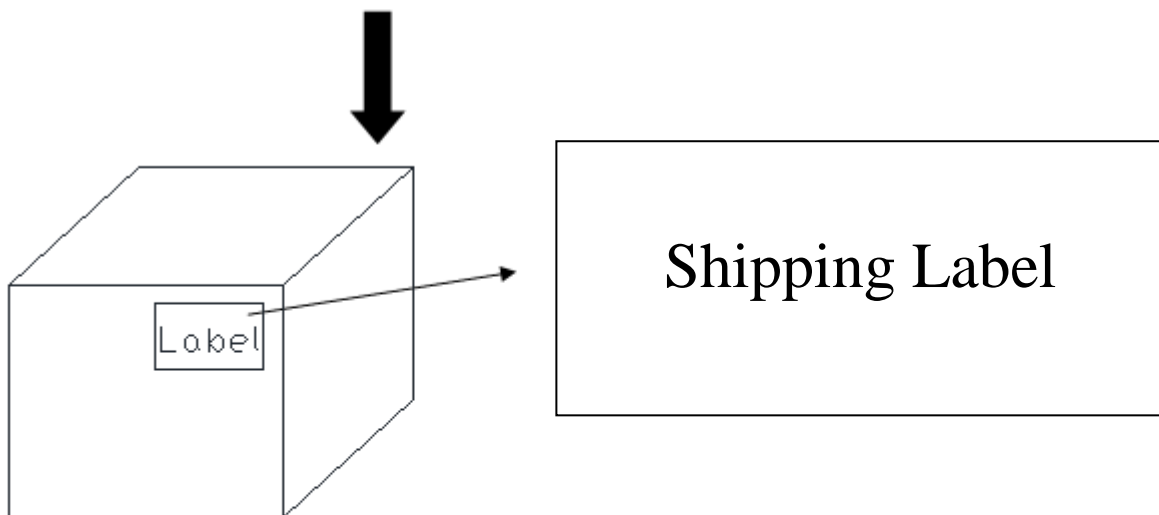
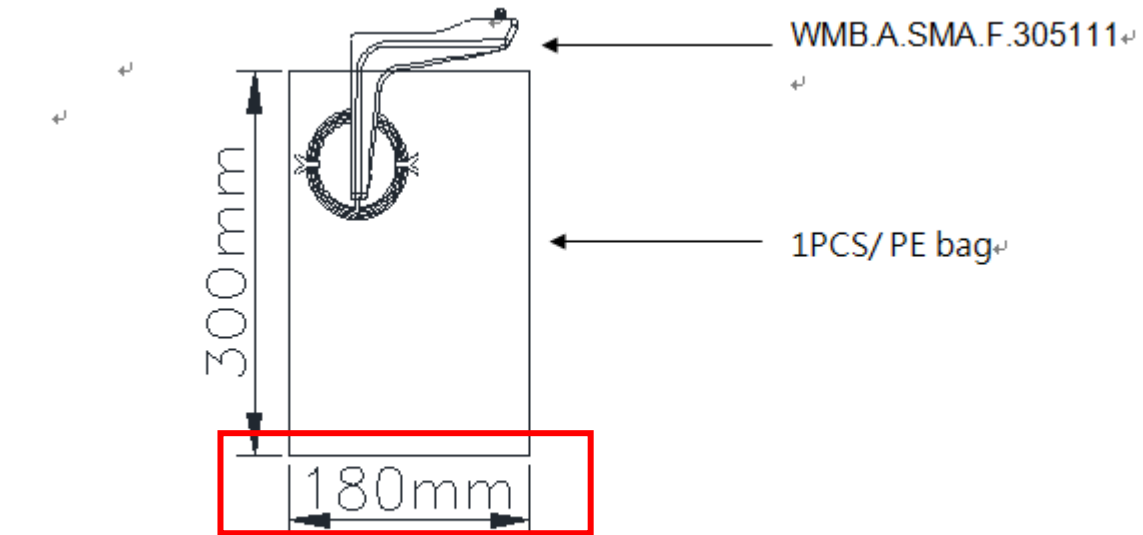
#### Old package



24PCS per carton

(350\*260\*290mm)

**New package**



24PCS per carton

(350\*260\*290mm)