

## PCN – Process Change Notification

Change:	CAB.K02
Date:	2017/06/29
Author	Haley Tsai

### Affected Products

Model#	Part Number	Changes
IpexMHFII(U.FL) to SMA(F) Bulkhead Jack Straight -0.81mm coax cable-200mm	CAB.K02	1. Amend Package Rule.

### Type of Change

- Hardware Modification  
 Production Process Advance  
 Others –Amend Package Rule.
- 

### Description of Change

1. Amend Package Rule.

### Schedule

2017, July, Taoglas will provide new package rule into production.

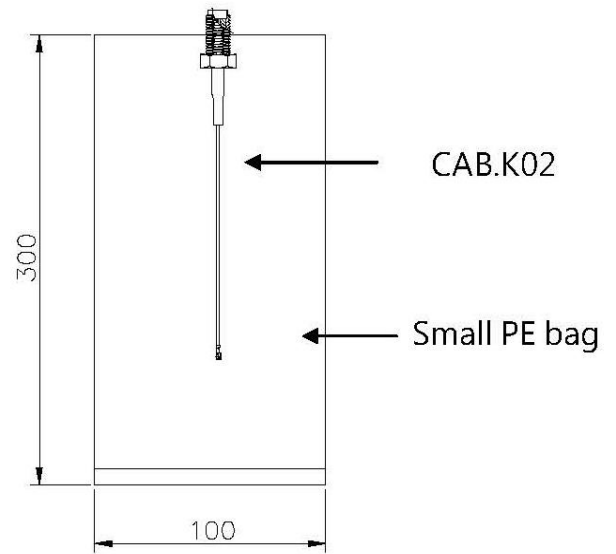
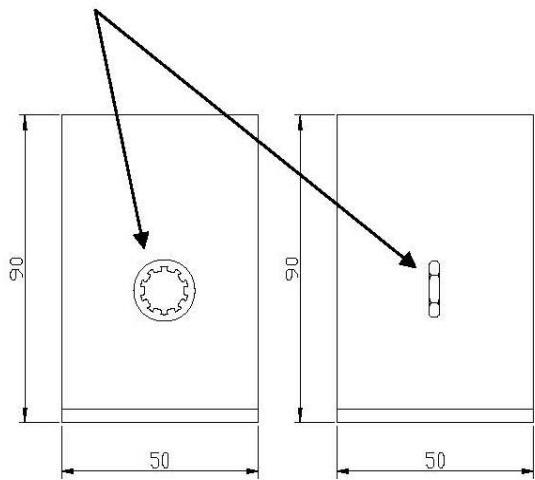
### Forecast Estimated Transition Date

**July/2017**

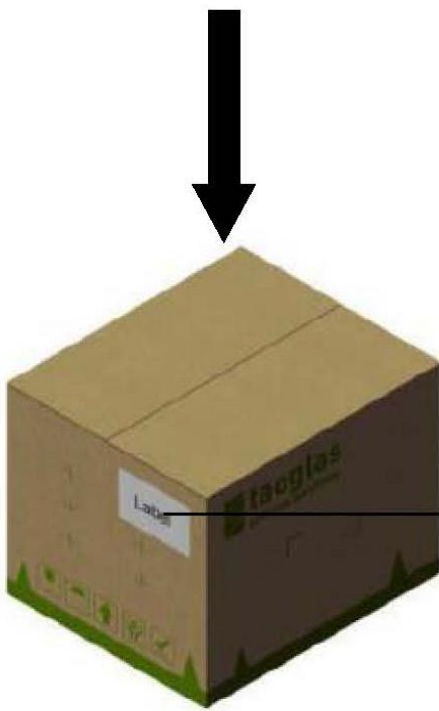
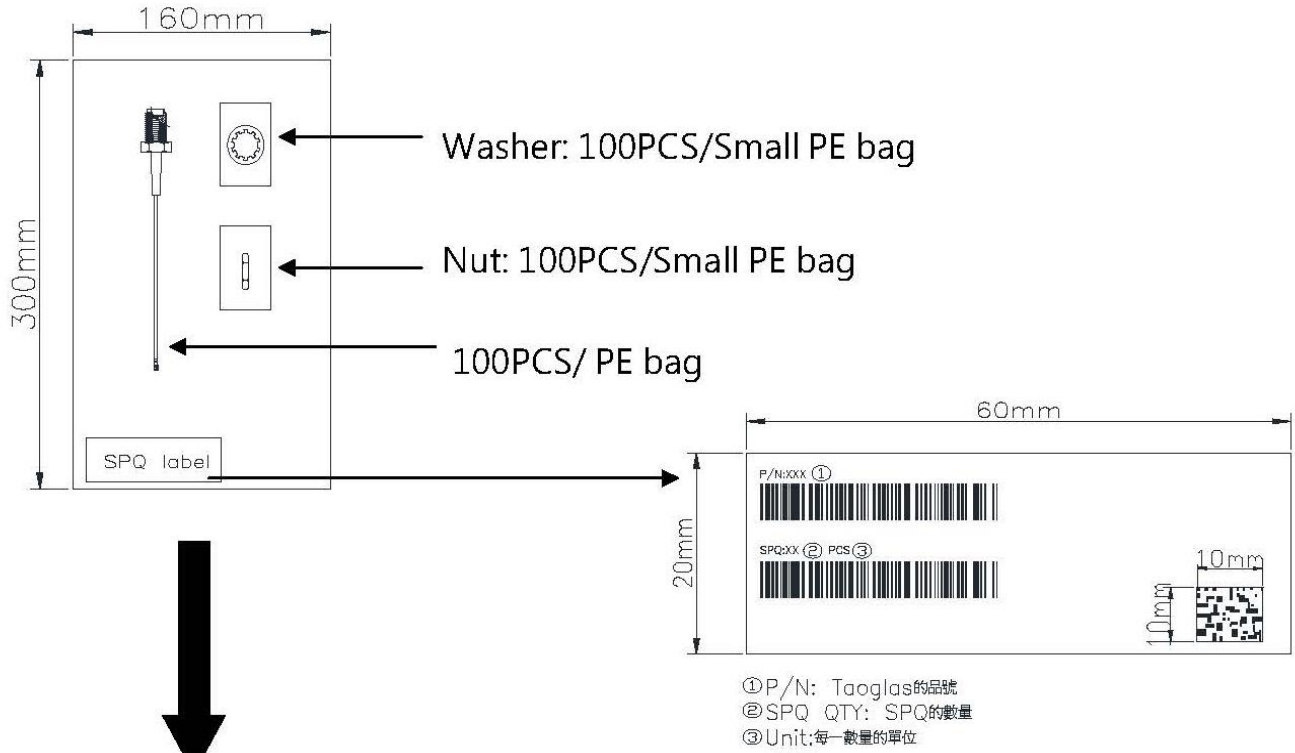
**Illustration of Change**

**Old Package**

Washer Nut



### New Package



2000PCS/Carton  
 (330x180x180mm)

