



TAOGLAS®



Datasheet

CAB.0171

Description:

SMA(F) Bulkhead Straight to 150mm RG-174 to MMCX(M)RA

Features:

Cable: RG-174

Overall Length: 150mm

End A: SMA(F) Bulkhead Straight

End B: MMCX(M)RA

RoHS & Reach Compliant

1. Introduction	3
2. Cable Specifications	4
3. Mechanical Drawing	6

Taoglas makes no warranties based on the accuracy or completeness of the contents of this document and reserves the right to make changes to specifications and product descriptions at any time without notice. Taoglas reserves all rights to this document and the information contained herein.

Reproduction, use or disclosure to third parties without express permission is strictly prohibited.



1. Introduction

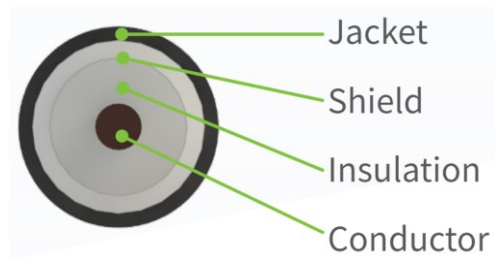


The Taoglas CAB.0171 is an RG-174 cable with SMA(F) Bulkhead Straight and MMCX(M)RA. As one of a great range of Taoglas' standard cables the CAB.0171 is ideal for use by worldwide RF professionals. Taoglas also offers a 150mm version (CAB.01402) as a standard cable length for this configuration and custom cables through our Cable and Connector Division ([Cable Builder](#)). When a custom cable is required, this is the perfect tool for building your own cable variant.

Taoglas provides customized length and connector variants subject to MOQ. Contact your regional Taoglas customer support team for further details.

2. Cable Specifications – RG-174

2.1 Cross Section



2.2 Structure and Dimensions

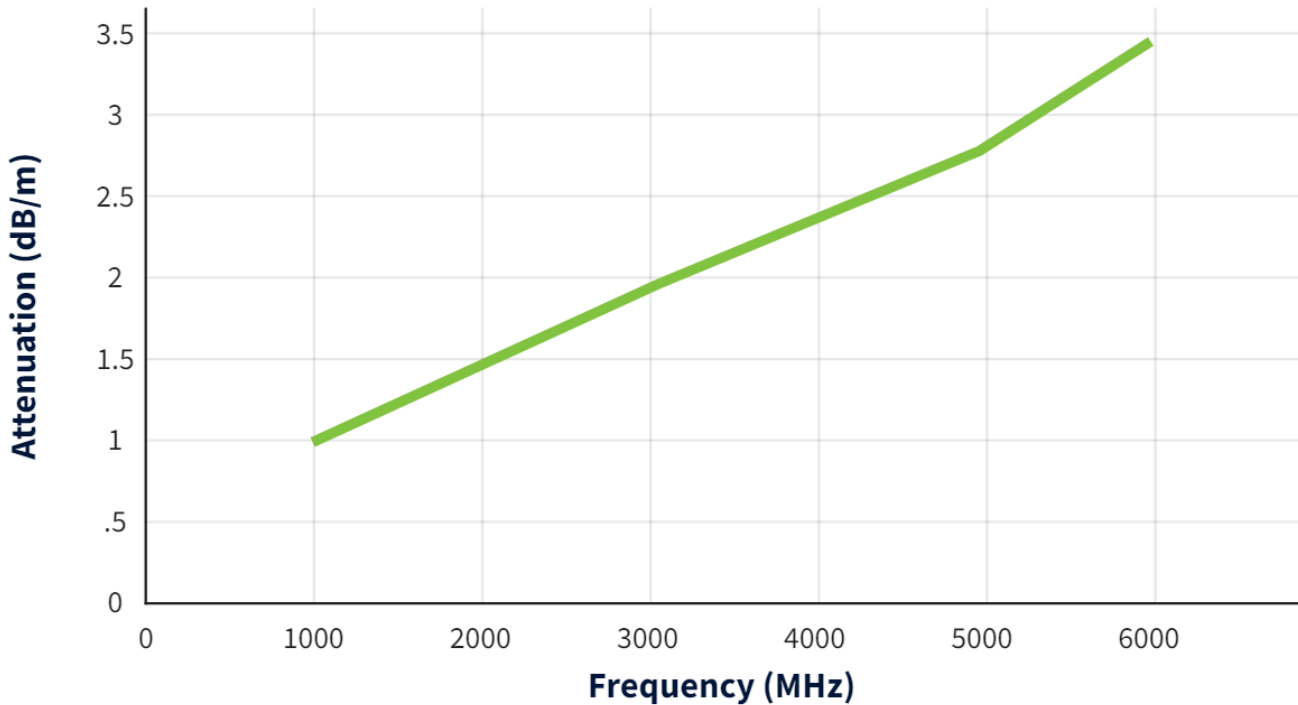


Part Designation	Material	Diameter
Conductor	Copper	0.49 mm
Insulation	PE	1.48 mm
Shield	Tinned-Copper (96% Coverage)	1.9 mm
Jacket	PVC	2.7 ± 0.1 mm

2.3 Cable Specifications

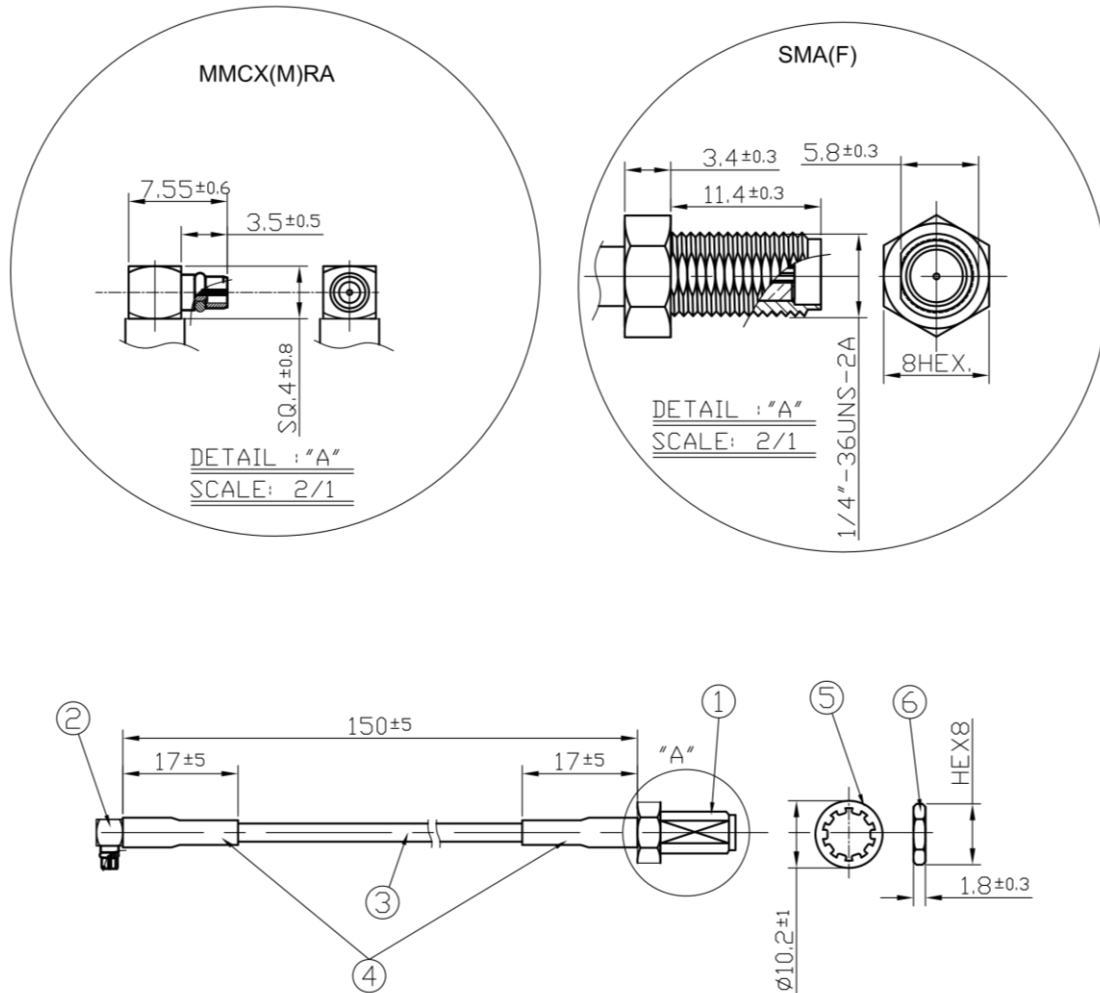
Mechanical	
Minimum Bend Radius	25.4mm
Cable Weight	0.013kg/m
Environmental	
Storage Temperature Range	-20°C to 80°C
Operating Temperature Range	-20°C to 80°C
Electrical	
Impedance	50Ω
Capacitance	78 ± 3 pF/m

Attenuation vs. Frequency



Frequency (MHz)	1000	2000	3000	4000	5000	6000
Attenuation (dB/m)	1	1.5	1.99	2.39	2.8	3.5

3. Mechanical Drawing (Units: mm)



	Name	P/N	Material	Finish	QTY
1	SMA(F)	SMA.F.ST.JACK.DEK.J	Brass	Gold	1
2	MMCX(M)RA	MMCX.M.RA.DK.J	Brass	Gold	1
3	RG174 Coaxial Cable	RG174.J	PVC	Black	1
4	Heat Shrink Tube	001311F0000XXA	PE	Black	2
5	Washer	000612D050013A	Brass	Gold	1
6	Nut	000612D040013A	Brass	Gold	1

Changelog for the datasheet

SPE-24-8-150 – CAB.0171

Revision: A (Original First Release)	
Date:	2024-06-25
Notes:	
Author:	Cesar Sousa

Previous Revisions

<table border="1"> <tr> <td colspan="2">Revision:</td> </tr> <tr> <td>Date:</td> <td></td> </tr> <tr> <td>Changes:</td> <td></td> </tr> <tr> <td>Changes Made by:</td> <td></td> </tr> </table>	Revision:		Date:		Changes:		Changes Made by:		
Revision:									
Date:									
Changes:									
Changes Made by:									



TAOGLAS®

www.taoglas.com

