



# TAOGLAS®

## Guardian HP Series Multi-mount Bracket

**MB.99X.A / MB.99X.W**



The Taoglas MB.99X Series brackets are purpose-built to enhance the versatility and ease of mounting for the high-performance Guardian HP Series antennas. Designed for wall, pole, or window installations, the MB.99X ensures seamless deployment in various applications, ensuring antenna installation simpler than ever and making it a reliable choice for even the most demanding environments.

**Compact Design:** Measuring under 120mm square with a depth of just 77mm from the mounting surface to the antenna, the MA.99X bracket ensures a low-profile, unobtrusive installation.

**Ease of Installation:** The bracket is connected to the Guardian by screws and the ball joint allows the antenna to be optimally positioned for best performance, regardless of the installation type with 80 degree range of motion both vertically and horizontally.

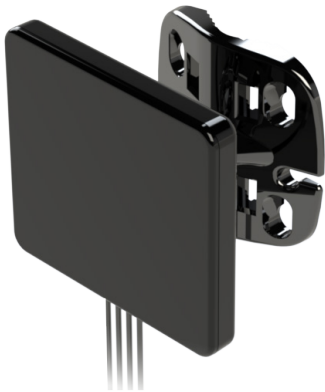
### Flexible Mounting:

Each MB.99X bracket comes with a mounting kit, including screws, washers, hose clamps, and suction cups. This all-in-one solution supports wall, pole, or window installations to meet the unique needs of your application.

### Specifications:

<b>Variations:</b>	Black White	MB.99X.A MB.99X.W
<b>Dimensions:</b>	119 x 118 x 77mm / 4.6 x 4.6 x 3"	
<b>Weight:</b>	110g / 3.8oz	
<b>Materials:</b>	Bracket	ASA/PW-978B
	Screws & Washers	Steel
	Suction Cups	UV Stabilized PVC
	Hose Clamp	SUS304
	Wall Mount	Nylon
<b>Used with:</b>	Taoglas Guardian HP Series MA998, MA997, MA996, MA995, MA945	

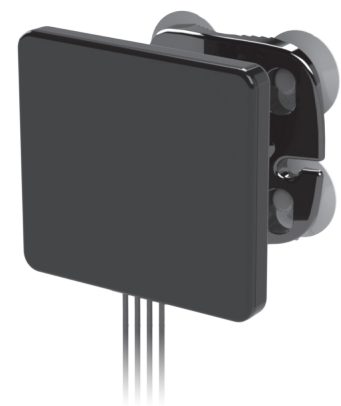
### Wall Mount



### Pole Mount



### Window Mount



Taoglas makes no warranties based on the accuracy or completeness of the contents of this document and reserves the right to make changes to specifications and product descriptions at any time without notice. Taoglas reserves all rights to this document and the information contained herein. Reproduction, use or disclosure to third parties without express permission is strictly prohibited.

Ireland & USA  
ISO 9001:2015  
Certified



Taiwan  
ISO 9001:2015  
Certified



UK  
UKCA  
046



IATF16949



# Mounting Instructions

The Taoglas MB.99X Series brackets are the perfect companion for the Guardian HP Series, delivering flexibility, durability, and ease of use in one compact package. Using screws, the bracket can be wall mounted. Using hose clamps, the bracket can be mounted to poles smaller than 50mm / 2" in diameter. For indoor use, suction cups can be used to mount the guardian on a window or non porous surface. Follow the guidelines below to ensure the best installation for your Guardian HP product.

## Wall Mounting

Mark the screw holes on the wall using the bracket as a template or follow the dimensions in the drawing below, then drill pilot holes. Insert nylon wall studs if needed. See Fig 1 below.

Insert the screws and spacer washers into the hole / wall stud as shown below. Screw the bracket on to the back of the Guardian antenna and then securely fasten the bracket onto the wall slotting it down over the screw, tightening if required. Adjust the position of the antenna on the bracket ball joint for optimal positioning and performance.

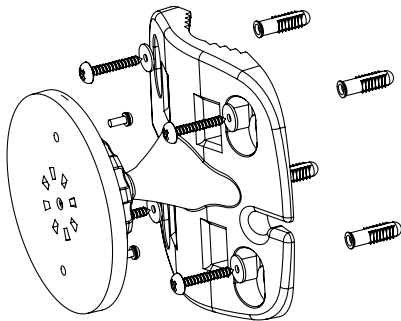


Fig.1

## Pole Mounting

To install the bracket on poles of diameter 50mm / 2" or smaller, feed the two hose clips, included in the kit, through the bracket as shown in Fig 2 below.

Wrap the hose clamps around the pole, ensuring the bracket is aligned properly, and tighten the clamps securely using a screwdriver.

Attach the antenna to the bracket and adjust the ball joint to optimize the position for best performance, then lock it in place by tightening the screws.

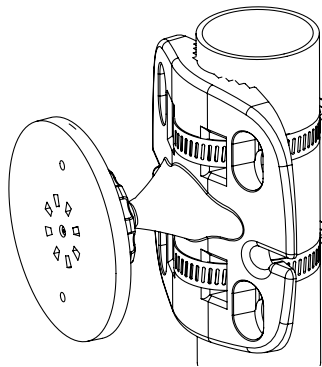


Fig.2

## Window Mounting

Attach the four PVC suction cups into each of the four mounting holes, facing out from the back of the bracket. See Fig 3 below.

Attach the Guardian HP to the bracket and set the desired mounting angle by screwing the ball joint tightly into position.

Clean the window surface thoroughly to remove dust and debris, then press the bracket firmly against the window until the suction cups adhere.

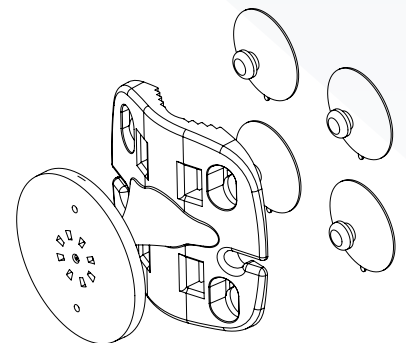
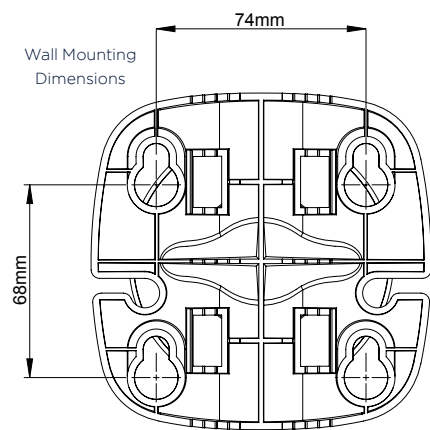
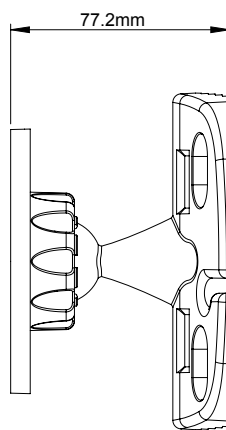
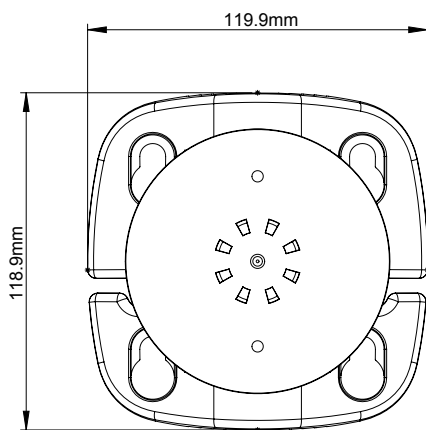


Fig.3

# Drawings



For further information, please contact your regional Taoglas customer support team or visit [www.taoglas.com](http://www.taoglas.com)