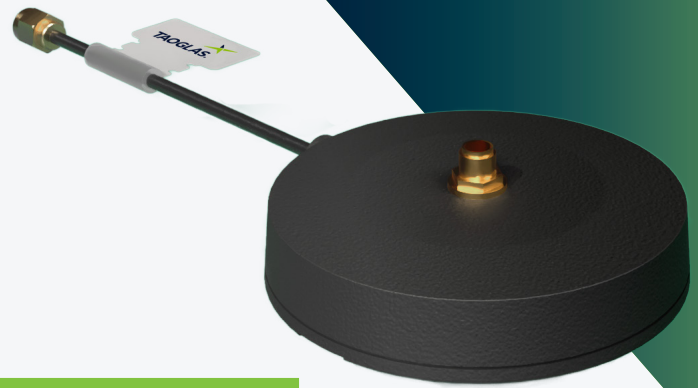


Accura TS Series Magnetic-mount Bracket

MMB.A.TS / MMB.W.TS



The Taoglas MMB.x.TS Series of brackets are purpose-built to enhance the versatility and ease of mounting for the high-performance Accura TS Series of GNSS antennas. Designed for magnetic or adhesive mounting, MMB.x.TS ensures seamless deployment for a variety of applications, ensuring antenna installation is simpler than ever and making it a reliable choice for even the most demanding environments.

Compact Design: Measuring less than 75mm in diameter, with a height of just 16.5mm, the bracket ensures a low-profile, unobtrusive installation.

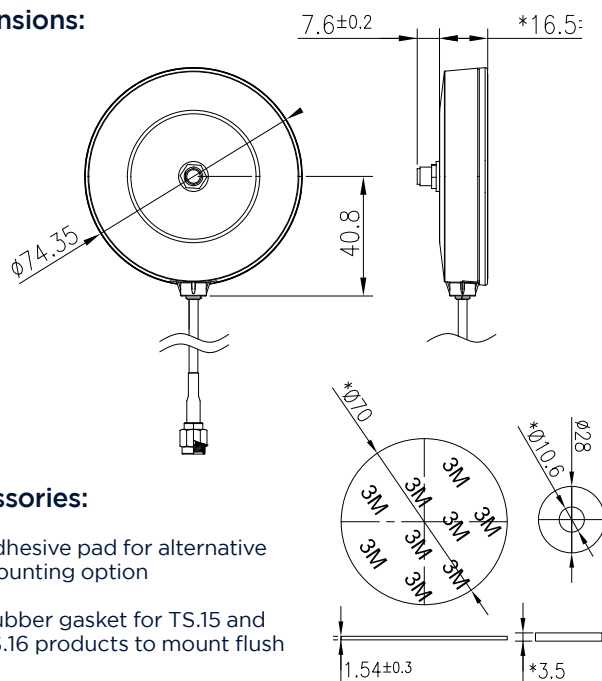
Flexible Mounting Options:

Each MMB.x.TS bracket comes with an adhesive pad, rubber spacer for the TS.15/16 and has three super-strong neodymium magnets integrated for mounting the antenna in almost any environment.

Specifications:

Variations:	Black White	MMB.A.TS MMB.W.TS
Dimensions:	Diameter 74.3 mm x Height 16.5mm	
Materials:	Base Spacer Adhesive Pad	ASA/PW-978B Silicon Rubber 3M 944HK / CR4305
Used with:	TS Accura Series TS.125.0111, TS.15.0111 and TS.16.0111	

Dimensions:



Accessories:

- Adhesive pad for alternative mounting option
- Rubber gasket for TS.15 and TS.16 products to mount flush

Suitable for TS.15, TS.16 and TS.125 Products

