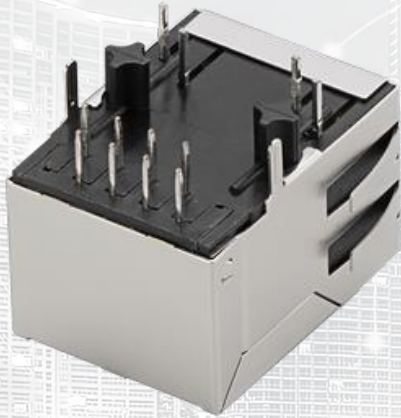




# TAOGLAS®



## Datasheet

### RJ45 ICM 10/100 Base-T Short Body

**Part No:**  
TMJDD111B083FC2A1D

**Description:**

RJ45 connector with integrated magnetics 10/100 Base-T  
Single Port Tab-DOWN with right angle THT mount

**Features:**

Short Body  
Shielded EMI Finger  
Transformer + CMC  
Industrial grade

1. Introduction	3
2. Specifications	4
3. Mechanical	5
4. Electrical	7
5. Packaging	8
<hr/>	
Changelog	9

Taoglas makes no warranties based on the accuracy or completeness of the contents of this document and reserves the right to make changes to specifications and product descriptions at any time without notice. Taoglas reserves all rights to this document and the information contained herein. Reproduction, use or disclosure to third parties without express permission is strictly prohibited.



# 1. Introduction



The Taoglas TMJDD111B083FC2A1D is a single-port, tab-down RJ45 Integrated Connector with a shielded EMI Finger short body design. It features a widely recognized footprint and a compatible package that aligns with industry standards for RJ45 Integrated Connectors, making it popular among users. This connector supports 10/100 Base-T connections.

Typical Applications Include:

- Industrial Automation
- Hubs
- Routers
- Switches
- Wireless Access Points

Taoglas Magnetics offer an extensive product line of RJ45 Integrated Connectors designed for commercial and industrial grade applications, supporting 10/100 Base-T (Atmos100 Series) and 1G Base-T (Atmos1000 series). These surface mount or through-hole components provide reliable performance and maintain signal integrity that meets IEEE 802.3 standards, and they are UL certified. The Power over Ethernet options are also available including PoE, PoE+ and PoE++.

The majority of Taoglas RJ45 ICMs are manufactured with fully automated winding, assembly & testing to ensure consistent performance, quality and reliability while ensuring cost competitiveness for its customers. These products are fully compliant with the REACH and RoHS directive, and compatible with all major PHY vendors.

For customized products or support with integration, contact your regional Taoglas customer support team for further information.

## 2. Specifications

Electrical Performance @25°C	
OCL	350uH Min.at 100KHz 100mV 8mA DC
Turns Ratio	1~3: J1~J2=1CT:1CT(±2%)
	4~6: J3~J6=1CT:1CT(±2%)
Insertion Loss	-1.0 dB Max 1~100MHz
Return Loss	-20dB Min 1~10MHz
	-16dB Min 10~30MHz
	-12dB Min 30~60MHz
	-10dB Min 60~80MHz
Crosstalk	-40dB Min 1~30MHz
	-35dB Min 30~60MHz
	-30dB Min 60~100MHz
CMR	-30dB Min 1~100MHz
Hi-Pot	1500V AC & 2250V DC 6S 1mA PRI TO SEC

Environmental Specifications	
Operating Temperature	-40°C TO +85°C

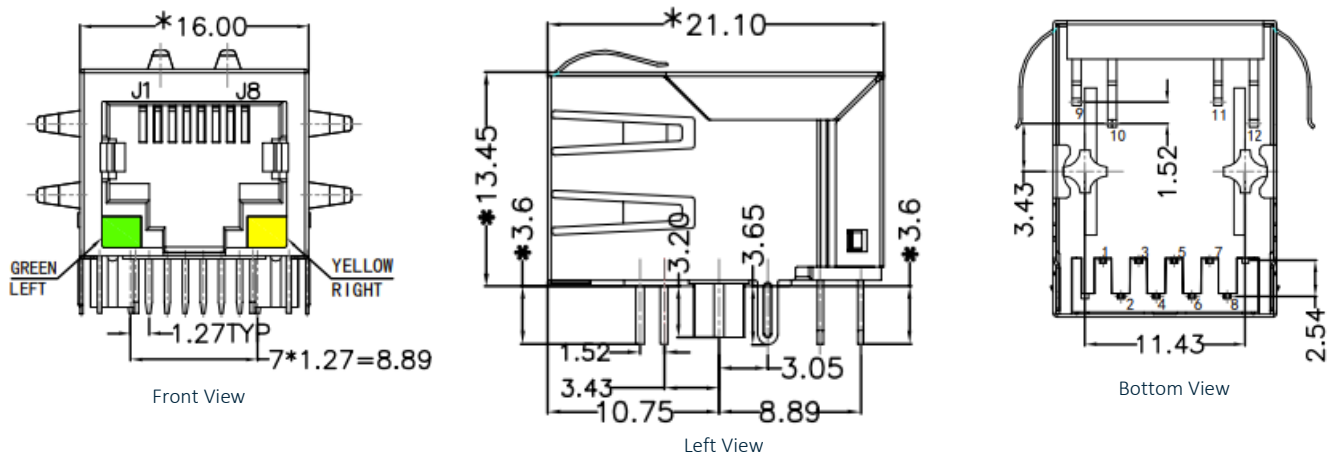
Material Specifications	
Housing	PBT, UL94V-0, BLACK
Terminals Bracket	PBT, UL94V-0, BLACK
Shield	C2680, T=0.20MM, NICKEL PLATING ON ALL AREA
Terminal	PHOSPHOR BRONZE C5210, T=0.35MM 6U" GOLD PLATING ON CONTACT AREA
Wave solder tip temperature	260±5°C, 5 Sec Max

Compliance	
	IEEE 802.3
	RoHS Compliant

Storage requirements	
Humidity	MSL - 1
Storage Temperature	-40°C TO +85°C

## 3. Mechanical

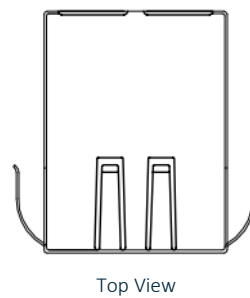
### 3.1 Mechanical Drawings



#### Mechanical Specifications

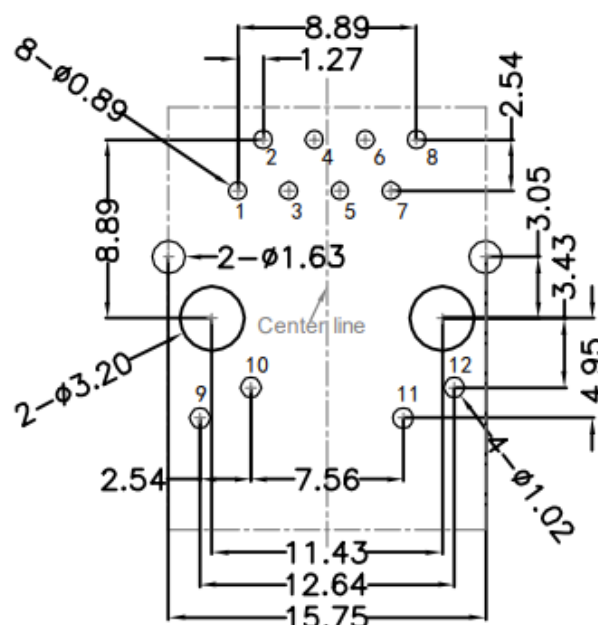
Height	13.45 mm
Width	16.00 mm
Depth	21.10 mm
Weight	5.62 g
Mounting Style	Through Hole (THT)
Mounting Angle	Right Angle

Dimensions are in millimeters with the following tolerances: X.XX = ±0.25



Back View

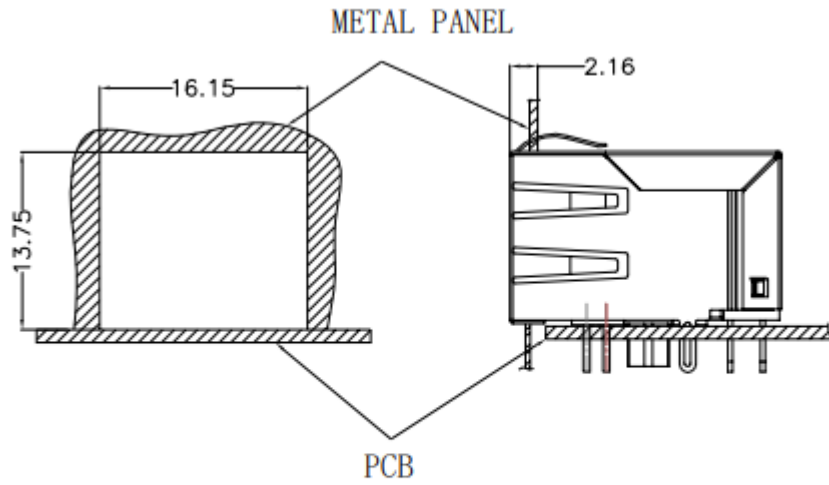
### 3.2 PCB Layout



Suggested PCB Layout (Top View)

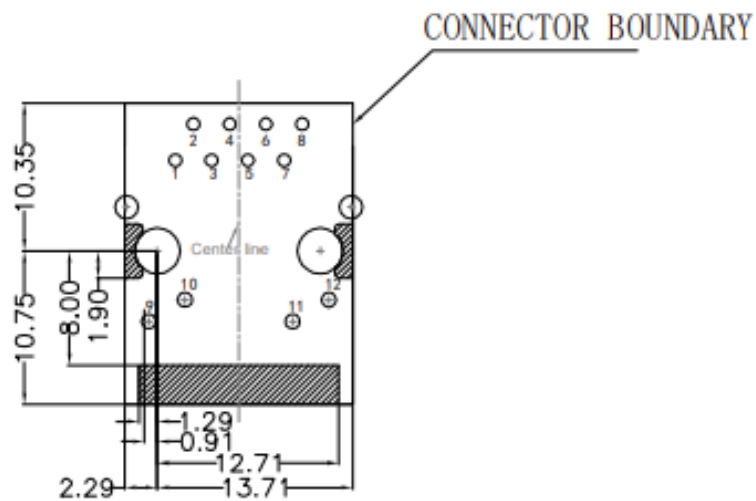
Dimensions are in millimeters with the following tolerances: X.XX = ±0.10

3.3 Panel cutout



UNIT: MM / INCH  
 TOLERANCES:  $\pm 0.10$  / 0.004  
 REFERENCE ONLY

RECOMMENDED PANEL CUTOUT (REFERENCE ONLY)



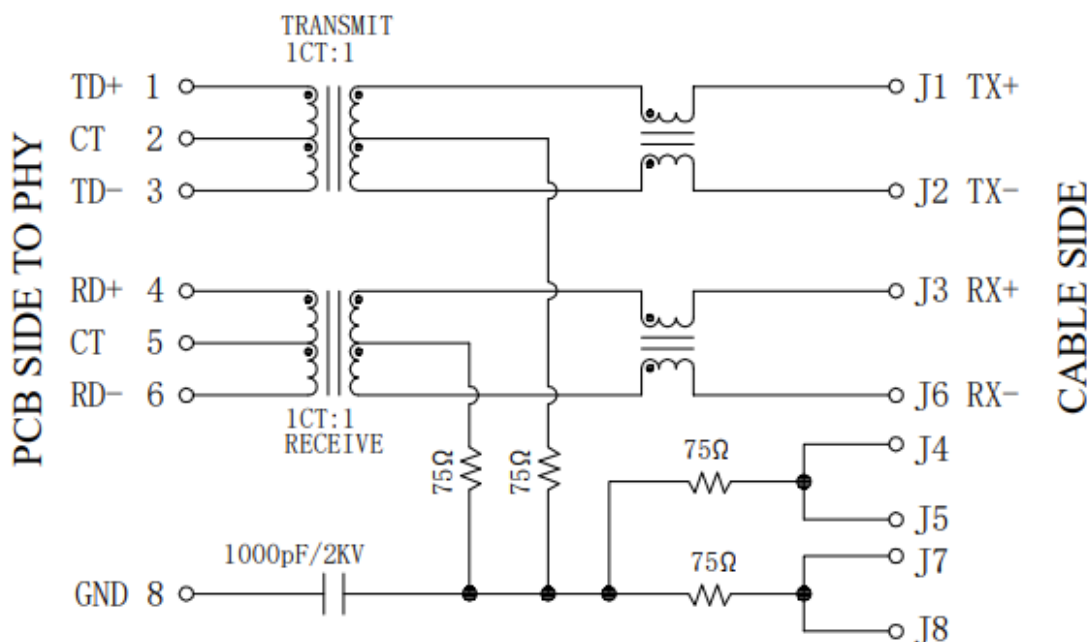
PLUG-IN SIDE

UNIT: MM / INCH  
 TOLERANCES:  $\pm 0.10$  / 0.004

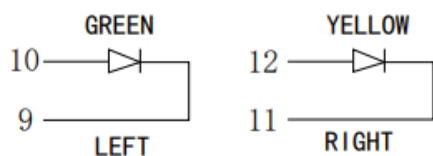
KEEP-OUT AREA (COMPONENT SIDE VIEW)

## 4. Electrical

### 4.1 Electrical Drawings



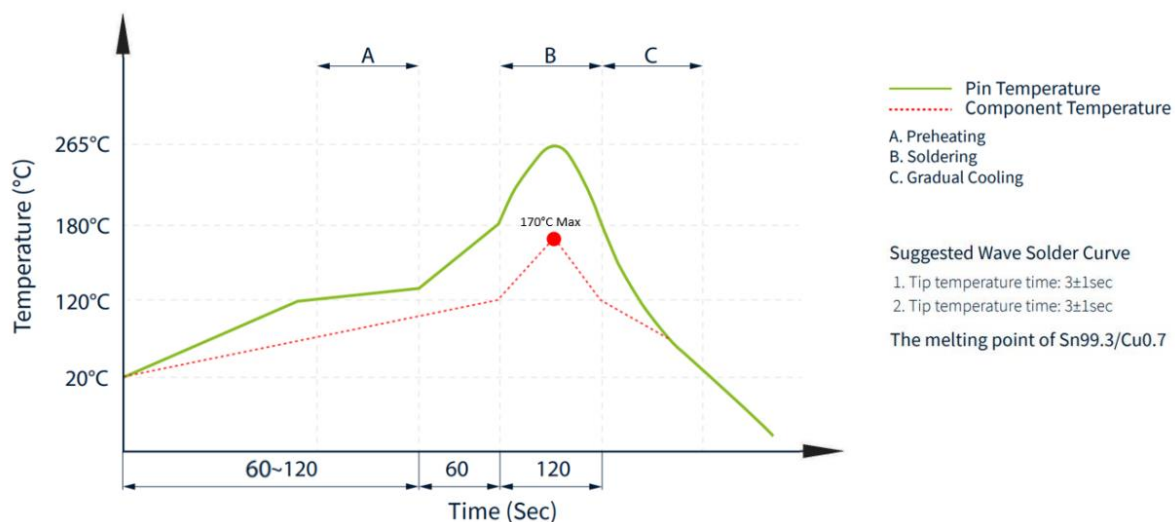
### 4.2 LED



LED Specification

Standard LED Color	LED Wavelength	Foward(A)	Foward(V)
Green	568nm	20mA	1.85-2.45V
Yellow	585nm	20mA	1.7-2.2V

### 4.3 Profile of Wave Solder



## 5. Packaging

### 5.1 SPQ

1 tray = 120 pcs

Tray weight = 805g

### 5.2 Carton

1 Carton = 9 trays = 1080 pcs

Carton dimensions: 330\*330\*210 mm

Carton Weight: 7.6 kg



### 5.3 Label

Taoglas Limited	
P/N NO: XXXXXXXX	
QYT: XXX PCS	DC: XXXX
DATE: XXXX-XX-XX	

SPQ Label (8x4cm)

Taoglas Limited	
P/N NO: XXXXXXXX	
PO: XXXXXXXX	B/N: XXXXXXXX
QYT: XXX PCS	DC: XXXX
DATE: XXXX-XX-XX	

Carton Label (8x4cm)



# Changelog

Changelog for the datasheet

**SPE-23-8-326 – TMJDD111B083FC2A1D**

**Revision: A (Original First Release)**

Date:	2023-11-19
Notes:	
Author:	Javier Vasena

**Previous Revisions**




[www.taoglas.com](http://www.taoglas.com)

