



Engineering Global
Connectivity with you

Cable Assembly Catalog

Taoglas Cable Assemblies

Taoglas is a leading provider of advanced technology for a smarter world.

With a comprehensive portfolio, Taoglas has been tackling real-world engineering challenges faced during the development of complex RF and wireless systems for almost 20 years. When it comes to Cable Assemblies Taoglas has the right expertise and is the ideal partner to help you to design, prototype and manufacture high quality solution that meet your needs.

At Taoglas, we understand the importance of these systems and specialize in their design, engineering, test development, prototyping, and manufacturing. Taoglas is a full-service cable assembly manufacturing company that offer our customers Cable Assemblies as a stand-alone service.

Custom Cable Assemblies are a specialty of ours because we understand that each device or application is different, and tailor a solution that is unique to your needs. Our products are put through rigorous QC testing procedures, ensuring that they are of the highest quality and within approved specifications.

For more information or for configurations not listed here, we can provide solutions based on your requirements pending an MOQ, please contact your local customer services department to discuss further.

Ireland & USA
ISO 9001:2015
Certified



Taiwan
ISO 9001:2015
Certified



Taoglas makes no warranties based on the accuracy or completeness of the contents of this document and reserves the right to make changes to specifications and product descriptions at any time without notice. Taoglas reserves all rights to this document and the information contained herein. Reproduction, use or disclosure to third parties without express permission is strictly prohibited.

Cable Assemblies

The background features several large, overlapping, semi-transparent geometric shapes in various shades of gray. These shapes include triangles and polygons, some pointing upwards and others downwards, creating a layered, abstract composition.

2. Cable Assemblies

Cable Assemblies to SMA(F) Connectors

Product No.	Description	Cable Type	Cable Length (mm)
CAB.01028	IPEX MHFI(U.FL) to SMA(F)BK ST Waterproof 1.13 cable	1.13 Cable Micro Coax	200
CAB.01029	IPEX MHFI(U.FL) to SMA(F)BK ST Waterproof 1.13 cable	1.13 Cable Micro Coax	250
CAB.0243	IPEX MHFI(U.FL) to SMA(F)BK ST Waterproof 150mm 1.13 cable	1.13 Cable Micro Coax	150
CAB.01033	Hirose U.FL 1.32 to SMA(F)BKST	1.32 Cable Micro Coax	300
CAB.01034	Hirose U.FL 1.32 to SMA(F)BKST	1.32 Cable Micro Coax	250
CAB.01035	Hirose U.FL 1.32 to SMA(F)BKST	1.32 Cable Micro Coax	150
CAB.01036	Hirose U.FL 1.13 to SMA(F)BKST	1.13 Cable Micro Coax	300
CAB.01037	Hirose U.FL 1.13 to SMA(F)BKST	1.13 Cable Micro Coax	250
CAB.01038	Hirose U.FL 1.13 to SMA(F)BKST	1.13 Cable Micro Coax	150
CAB.01039	Hirose U.FL 1.13 to SMA(F)BKST	1.13 Cable Micro Coax	75
CAB.01061	IPEX MHFI Ø1.37 to SMA(F)Bulkhead Straight with O-Ring	1.37 Cable Micro Coax	300
CAB.01052	IPEX MHFI Ø1.37 to SMA(F)Bulkhead Straight with O-Ring	1.37 Cable Micro Coax	250
CAB.01064	IPEX MHFI Ø1.37 to SMA(F)Bulkhead Straight with O-Ring	1.37 Cable Micro Coax	200
CAB.0252	IPEX MHFI Ø1.37 to SMA(F)Bulkhead Straight with O-Ring	1.37 Cable Micro Coax	150
CAB.01063	IPEX MHFI Ø1.37 to SMA(F)Bulkhead Straight with O-Ring	1.37 Cable Micro Coax	75
CAB.01053	IPEX MHFI(U.FL) 1.13 cable to RP-SMA(F)BKST	1.13 Cable Micro Coax	250
CAB.045	IPEX MHFI(U.FL) 1.13 cable to RP-SMA(F)BKST	1.13 Cable Micro Coax	150
CAB.044	IPEX MHFI(U.FL) 1.13 cable to RP-SMA(F)BKST	1.13 Cable Micro Coax	100
CAB.01054	IPEX MHFI(U.FL) 1.13 cable to RP-SMA(F)BKST	1.13 Cable Micro Coax	75
CAB.6038	IPEX MHFI(U.FL) 1.13 cable to RP-SMA(F)BKST	1.13 Cable Micro Coax	300

CAB.S27	IPEX MHF4(HSC comp) 0.81mm coax cable to SMA(F)BK Jack Straight	0.81 Cable Micro Coax	300
CAB.S23	IPEX MHF4(HSC comp) 0.81mm coax cable to SMA(F)BK Jack Straight	0.81 Cable Micro Coax	250
CAB.01055	IPEX MHF4(HSC comp) 0.81mm coax cable to SMA(F)BK Jack Straight	0.81 Cable Micro Coax	150
CAB.01059	IPEX MHF4(HSC comp) 0.81mm coax cable to SMA(F)BK Jack Straight	0.81 Cable Micro Coax	75
CAB.697	IPEX MHFI(U.FL) to SMA(F)BKST. 100mm 1.13 cable	1.13 Cable Micro Coax	100

Cable Assemblies to SMA(M) Connectors

Product No.	Description	Cable Type	Cable Length (mm)
CAB.01030	SMA(F)BK to Stripped 2/2/2mm RG-174	RG-174	300
CAB.01031	SMA(F)BK to Stripped 2/2/2mm RG-174	RG-174	250
CAB.01032	SMA(F)BK to Stripped 2/2/2mm RG-174	RG-174	200
CAB.0125	SMA(F)BK to Stripped 2/2/2mm RG-174	RG-174	150
CAB.01040	SMA(F)Jack to RG-174 SMA(M)Plug	RG-174	300
CAB.01041	SMA(F)Jack to RG-174 SMA(M)Plug	RG-174	250
CAB.01042	SMA(F)Jack to RG-174 SMA(M)Plug	RG-174	200
CAB.01043	SMA(F)Jack to RG-174 SMA(M)Plug	RG-174	150
CAB.0102	SMA(F)Jack to RG-174 SMA(M)Plug	RG-174	100
CAB.01044	SMA(F) to RG-174 MMCX(M)RA	RG-174	75
CAB.01045	SMA(F) Bulkhead Straight to RG-174 MMCX(M)RA	RG-174	250
CAB.0171	SMA(F) Bulkhead Straight to RG-174 MMCX(M)RA	RG-174	150
CAB.01046	SMA(F) to RG-174 MMCX(M)RA	RG-174	300
CAB.01047	SMA(F) Jack to RG-174 MXX(M) Plug Straight	RG-174	300

CAB.01048	SMA(F) Jack to RG-174 MCX(M) Plug Straight	RG-174	250
CAB.01049	SMA(F) Jack to RG-174 MCX(M) Plug Straight	RG-174	200
CAB.01050	SMA(F) Jack to RG-174 MCX(M) Plug Straight	RG-174	150
CAB.01051	SMA(F) Jack to RG-174 MCX(M) Plug Straight	RG-174	100

Cable Assemblies N Type Jack with O-Ring

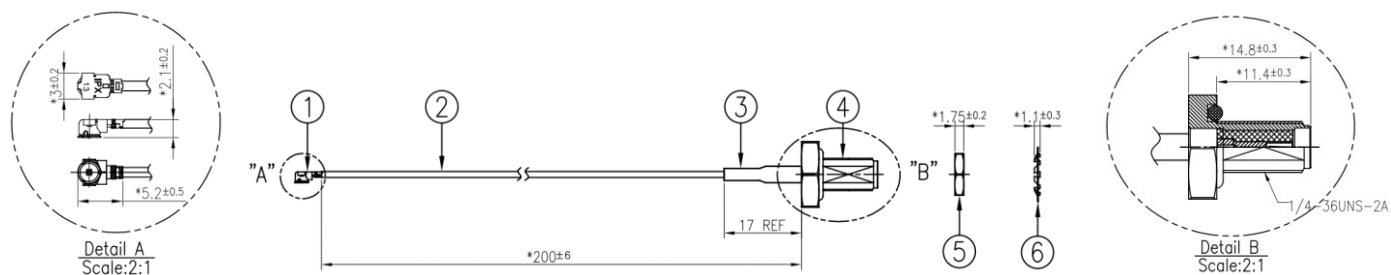
Product No.	Description	Cable Type	Cable Length (mm)
CAB.01056	N Type Jack with O-Ring to RG-316 SMA(M)ST PLUG	RG-316	300
CAB.9163	N Type Jack with O-Ring to RG-316 SMA(M)ST PLUG	RG-316	250
CAB.01057	N Type Jack with O-Ring to (3.93") RG-316 SMA(M)ST PLUG	RG-316	200
CAB.9196	N Type Jack with O-Ring to RG-316 SMA(M)ST PLUG	RG-316	150
CAB.01058	N Type Jack with O-Ring to RG-316 SMA(M)ST PLUG	RG-316	75
CAB.9162	N Type Jack with O-Ring to 1.37mm IPEX MHFI	1.37 Cable Micro Coax	100
CAB.9026	N Type Jack with O-Ring to 1.37mm IPEX MHFI	1.37 Cable Micro Coax	150
CAB.01060	N Type Jack with O-Ring to 1.37mm IPEX MHFI	1.37 Cable Micro Coax	200
CAB.9017	N Type Jack with O-Ring to 1.37mm IPEX MHFI	1.37 Cable Micro Coax	250

Cable Drawings

The background features several large, overlapping, semi-transparent geometric shapes in various shades of gray. These shapes include triangles and polygons, some pointing upwards and others downwards, creating a layered, abstract composition.

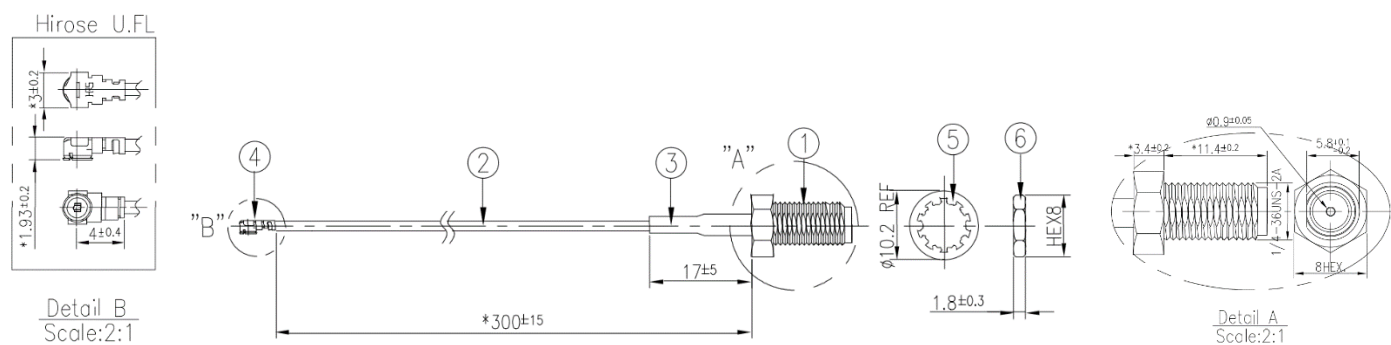
Cable Drawings - Cable Assemblies to SMA(F) Connectors

IPEX MHFI(U.FL) to SMA(F)BK ST Waterproof 1.13 cable



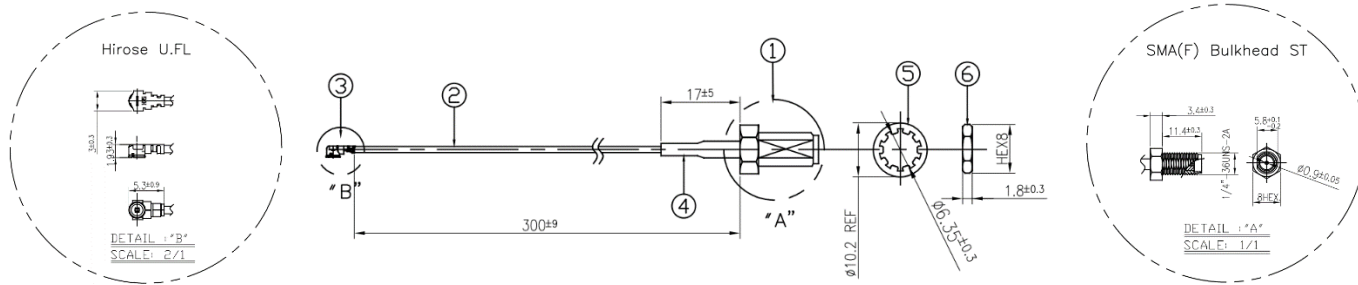
CAB.01028	1.13 Cable Micro Coax	200mm
CAB.01029	1.13 Cable Micro Coax	250mm
CAB.0243	1.13 Cable Micro Coax	150mm

Hirose U.FL 1.32 to SMA(F)BKST



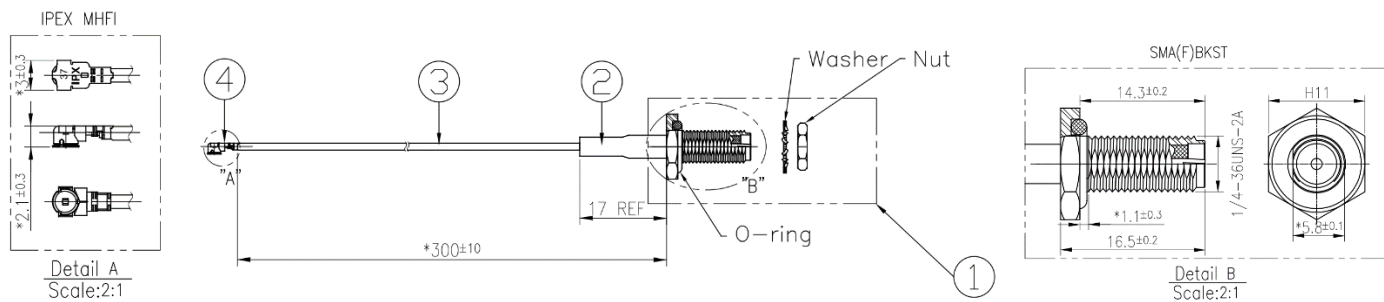
CAB.01033	1.32 Cable Micro Coax	300mm
CAB.01034	1.32 Cable Micro Coax	250mm
CAB.01035	1.32 Cable Micro Coax	150mm

Hirose U.FL 1.13 to SMA(F)BKST



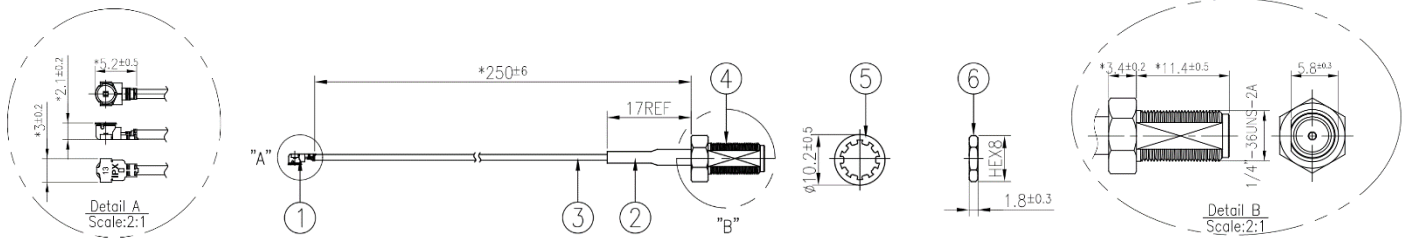
CAB.01036	1.13 Cable Micro Coax	300mm
CAB.01037	1.13 Cable Micro Coax	250mm
CAB.01038	1.13 Cable Micro Coax	150mm
CAB.01039	1.13 Cable Micro Coax	75mm
CAB.697	1.13 Cable Micro Coax	100mm

IPEX MHFI Ø1.37 to SMA(F)Bulkhead Straight with O-Ring



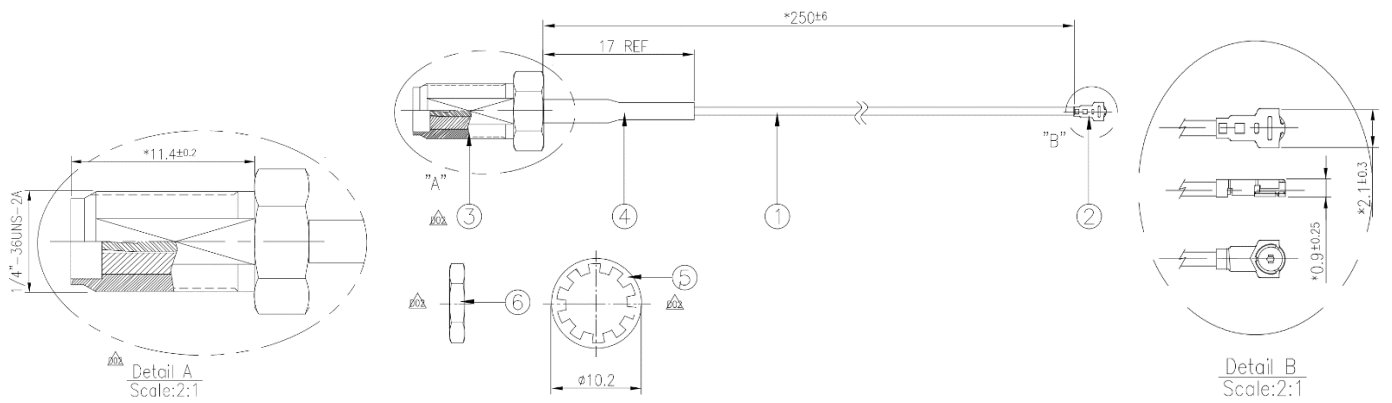
CAB.01061	1.37 Cable Micro Coax	300mm
CAB.01052	1.37 Cable Micro Coax	250mm
CAB.01064	1.37 Cable Micro Coax	200mm
CAB.0252	1.37 Cable Micro Coax	150mm
CAB.01063	1.37 Cable Micro Coax	75mm

IPEX MHFI(U.FL) 1.13 cable to RP-SMA(F)BKST



CAB.01053	1.13 Cable Micro Coax	250mm
CAB.045	1.13 Cable Micro Coax	150mm
CAB.044	1.13 Cable Micro Coax	100mm
CAB.01054	1.13 Cable Micro Coax	75mm
CAB.6038	1.13 Cable Micro Coax	300mm

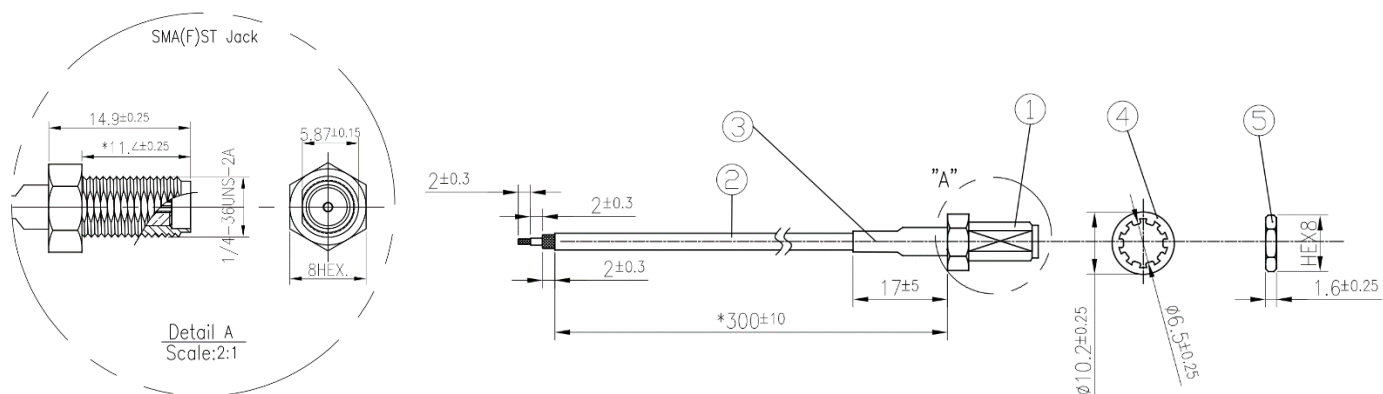
IPEX MHF4(HSC comp) 0.81mm coax cable to SMA(F)BK Jack Straight



CAB.S27	0.81 Cable Micro Coax	300mm
CAB.S23	0.81 Cable Micro Coax	250mm
CAB.01055	0.81 Cable Micro Coax	150mm
CAB.01059	0.81 Cable Micro Coax	75mm

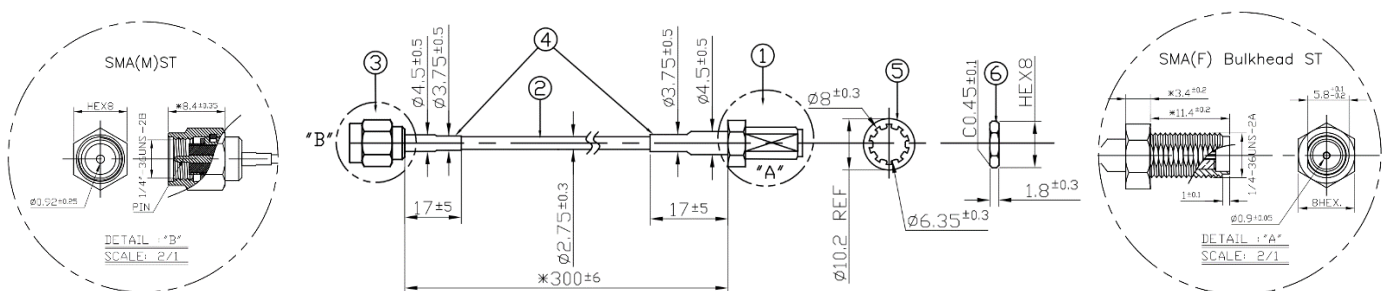
Cable Drawings - Cable Assemblies to SMA(M) Connectors

SMA(F)BK to Stripped 2/2/2mm RG-174



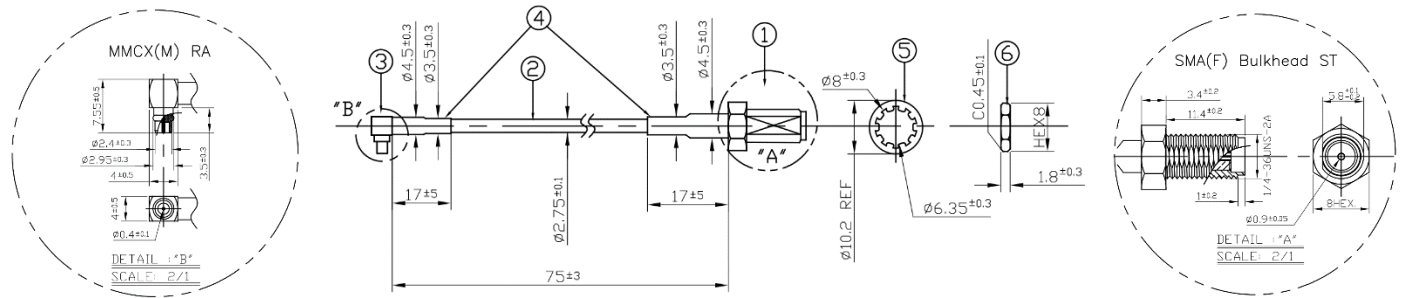
CAB.01030	RG-174	300mm
CAB.01031	RG-174	250mm
CAB.01032	RG-174	200mm
CAB.0125	RG-174	150mm

SMA(F)Jack to RG-174 SMA(M)Plug



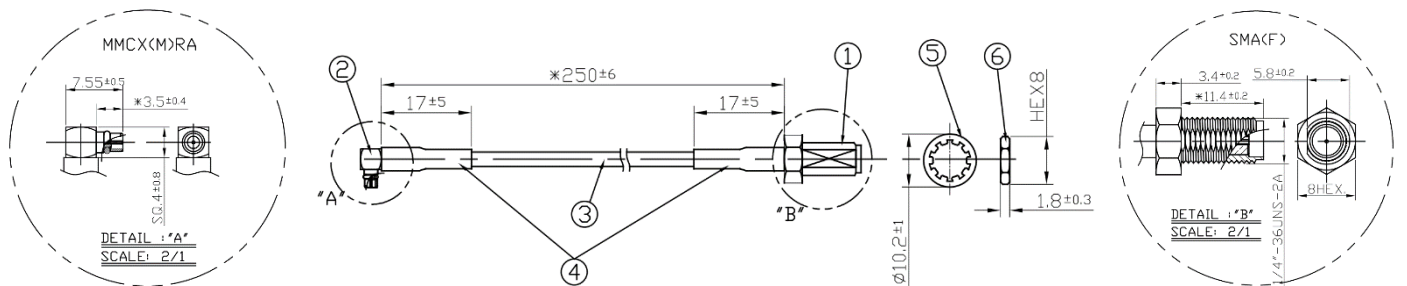
CAB.01040	RG-174	300mm
CAB.01041	RG-174	250mm
CAB.01042	RG-174	200mm
CAB.01043	RG-174	150mm
CAB.0102	RG-174	100mm

SMA(F) to RG-174 MMCX(M)RA



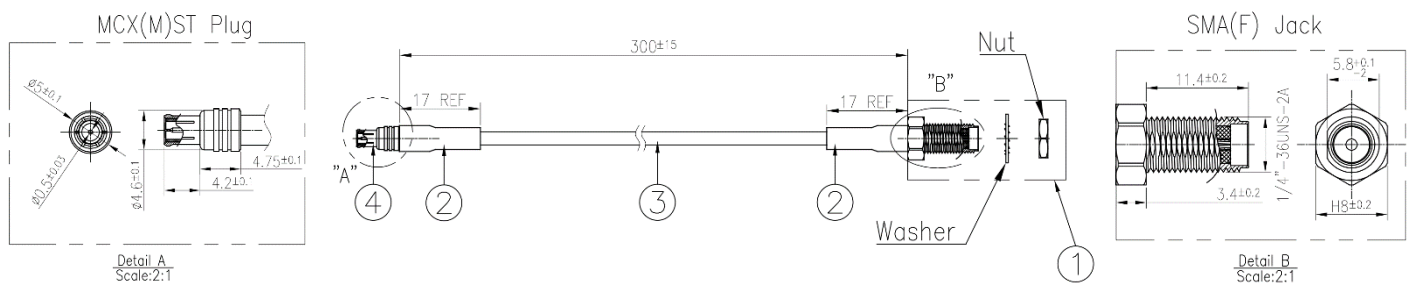
CAB.01044	RG-174 75mm
CAB.01046	RG-174 300mm

SMA(F) Bulkhead Straight to RG-174 MMCX(M)RA



CAB.01045	RG-174 250mm
CAB.0171	RG-174 150mm

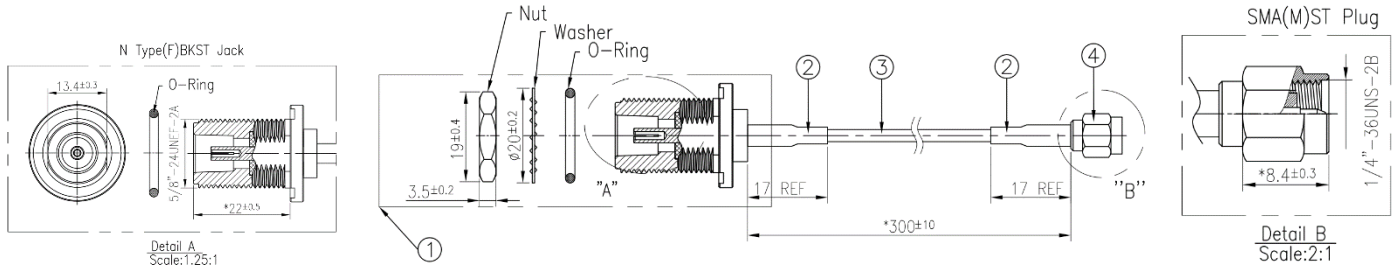
SMA(F) Jack to RG-174 MCX(M) Plug Straight



CAB.01047	RG-174 300mm
CAB.01048	RG-174 250mm
CAB.01049	RG-174 200mm
CAB.01050	RG-174 150mm

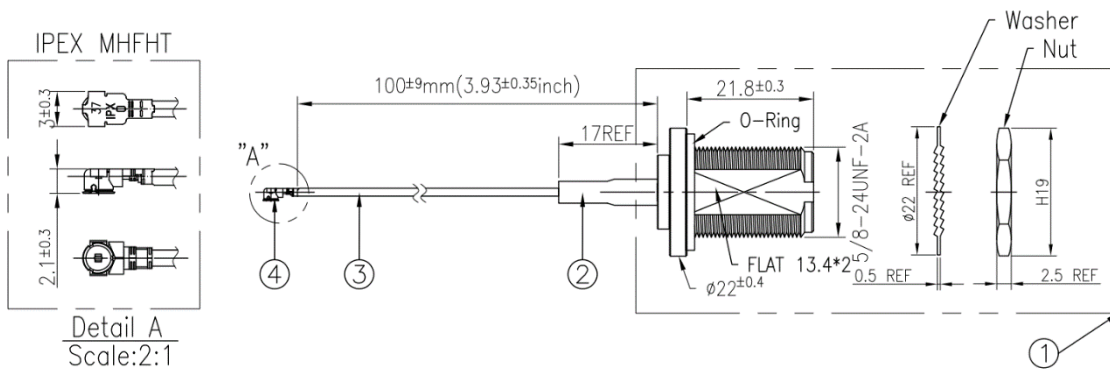
Cable Drawings - Cable Assemblies to N Type Jack with O-Ring

N Type Jack with O-Ring to RG-316 SMA(M)ST PLUG



CAB.01056	RG-316	300mm
CAB.9163	RG-316	250mm
CAB.01057	RG-316	200mm
CAB.9196	RG-316	150mm
CAB.01058	RG-316	75mm

N Type Jack with O-Ring to 1.37mm IPEX MHFI



CAB.9162	1.37 Cable Micro Coax	100mm
CAB.9026	1.37 Cable Micro Coax	150mm
CAB.01060	1.37 Cable Micro Coax	200mm
CAB.9017	1.37 Cable Micro Coax	250mm



EMEA

Email - emeasales@taoglas.com
Phone - +353 53 9169500

NASAC

Email - nasales@taoglas.com
Phone - +1 858-450-0888

APAC

Email - asiasales@taoglas.com
Phone - +886 3 3681223

Contact us for quick and professional support from our senior engineering team to manage and develop your next IoT project.

www.taoglas.com